

RACCORDERIA ASME-BPE



UTENSILMECCANICA



La nostra storia

Fondata nel 1966 a Latina, Utensilmeccanica si è dedicata a fornire supporto tecnologico alle industrie farmaceutiche, chimiche e alimentari. Grazie a una cultura aziendale incentrata sull'innovazione e sulla qualità, l'azienda è diventata un punto di riferimento nel settore.

Il team ha sviluppato soluzioni all'avanguardia, supportando i processi produttivi e contribuendo al successo di numerose aziende. Oltre alla ricerca e sviluppo, Utensilmeccanica pone grande enfasi sul supporto al cliente.

L'azienda ha instaurato un legame di fiducia con i partner, offrendo assistenza continua e soluzioni personalizzate. I valori fondamentali di Utensilmeccanica rimangono la qualità e la precisione in ogni aspetto delle sue operazioni.





SPECIFICHE TECNICHE
TECHNICAL SPECIFICATIONS

Tubi BPE

Tavole di comparazione

ASME-BPE			3-A inch Size			BS 4825			SMS/ISO 2037		DIN 11850					
Nominal Inch	OD mm	t mm	Nominal Inch	OD mm	t mm	Nominal Inch	OD mm	t mm	OD mm	t mm	Nominal DN	Series			t mm	
												1	2	3		
1/4	6.35	0.89	1/2	12.70	1.65	1/2	12.70	1.6	12	1	10	12			1.0	
3/8	9.53	0.89	3/4	19.05	1.65	3/4	19.05	1.6	12.7	1			13			1.5
1/2	12.70	1.65	1	25.40	1.65	1	25.40	1.6	17.2	1				14		2.0
3/4	19.05	1.65	1-1/2	38.10	1.65	1-1/2	38.10	1.6	21,3	1	15	18			1.0	
1	25.40	1.65	2	50.80	1.65	2	50.80	1.6	25	1-2/1-6			19			1.5
1-1/2	38.10	1.65	2-1/2	63.50	1.65	2-1/2	63.50	1.6	33.7	1-2/1-6				20		2.0
2	50.80	1.65	3	76.20	1.65	3	76.20	1.6	38	1-2/1-6	20	22			1.0	
2-1/2	63.50	1.65	4	101.60	2.11	4	101.60	2.0	40	1-2/1-6			23			1.5
3	76.20	1.65	6	152.40	2.77		114.30	2.0	51	1-2/1-6				24		2.0
4	101.60	2.11					139.70	2.0	63.5	1.6	25	28			1.0	
6	152.40	2.77							70	1.6			29			1.5
									76.1	1.6					30	2.0
									88.9	2	32	34			1.0	
									101.6	2				35		1.5
									114.3	2					36	2.0
									139.7	2	40	40			1.0	
														41		1.5
															42	2.0
											50	52			1.0	
														53		1.5
															54	2.0
											65	70			2.0	
											80	85			2.0	
											100	104			2.0	
											125	129			2.0	
											150	154			2.0	

Tubi BPE

Tavole di comparazione

DIN 11866									JIS G3459					JIS G3447		
Series A/ DIN 11850			Series B/ ISO 1127			Series C/ ASME BPE			Nominal	Nominal	OD	5S	10S	Nominal	OD	t
DN/ ID	OD	t	DN/ OD	OD	t	DN/ OD	OD	t	A	B	mm	t	t	A	mm	mm
6	8	1.0	10.2	10.2	1.6	1/4	6.35	0.89	6A	1/8	10.5	1.0	1.2	1.0S	25.4	1.2
8	10	1.0	13.5	13.5	1.6	3/8	9.53	0.89	8A	1/4	13.8	1.2	1.65	1.25S	31.8	1.2
10	13	1.5	17.2	17.2	1.6	1/2	12.70	1.65	10A	3/8	17.3	1.2	1.65	1.5S	38.1	1.2
15	19	1.5	21.3	21.3	1.6	3/4	19.05	1.65	15A	1/2	21.7	1.65	2.1	2.0S	50.8	1.5
20	23	1.5	26.9	26.9	1.6	1	25.40	1.65	20A	3/4	27.2	1.65	2.1	2.5S	63.5	2.0
25	29	1.5	33.7	33.7	2.0	1-1/2	38.10	1.65	25A	1	34.0	1.65	2.8	3.0S	76.3	2.0
32	35	1.5	42.4	42.4	2.0	2	50.80	1.65	32A	1-1/4	42.7	1.65	2.8	3.5S	89.1	2.0
40	41	1.5	48.3	48.3	2.0	2-1/2	63.50	1.65	40A	1-1/2	48.6	1.65	2.8	4.0S	101.6	2.0
50	53	1.5	60.3	60.3	2.0	3	76.20	1.65	50A	2	60.5	1.65	2.8	4.5S	114.3	3.0
65	70	2.0	76.1	76.1	2.0	4	101.60	2.11	65A	2-1/2	76.3	2.1	3.0	5.5S	139.8	3.0
80	85	2.0	88.9	88.9	2.3	6	152.40	2.11	80A	3	89.1	2.1	3.0	6.5S	165.2	3.0
100	104	2.0	114.3	114.3	2.3				90A	3-1/2	101.6	2.1	3.0			
125	129	2.0	139.7	139.7	2.6				100A	4	114.3	2.1	3.0			
150	154	2.0	168.3	168.3	2.6				125A	5	139.8	2.8	3.4			
200	204	2.0	219.1	219.1	2.6				150A	6	165.2	2.8	3.4			
									200A	8	216.3	2.8	4.0			
									250A	10	267.4	3.4	4.0			
									300A	12	318.5	4.0	4.5			



Tubi BPE

Tavole di comparazione

Tutti i raccordi sono conformi con la Tabella ASME BPE DT-3-1

Tolleranze finali per raccordi e componenti di processo lucidati meccanicamente

Nominal Size, in.	O.D.		Wall Thickness		Squareness Face to Tangent, B		Off Angle, O		Equivalent Angle (for O) deg	Off Plane, P		Centerline Radius (CLR), R	
	in.	mm	in.	in.	in.	mm	in.	mm		in.	mm	in.	mm
1/4	±0.005	±0.13	+0.003/-0.004	+0.08/-0.10	0.005	0.13	0.009	0.23	2.1	0.030	0.76	0.563	14.3
3/8	±0.005	±0.13	+0.003/-0.004	+0.08/-0.10	0.005	0.13	0.012	0.30	1.8	0.030	0.76	1.125	28.58
1/2	±0.005	±0.13	+0.005/-0.008	+0.13/-0.20	0.005	0.13	0.014	0.36	1,6	0.030	0.76	1.125	28.58
3/4	±0.005	±0.13	+0.005/-0.008	+0.13/-0.20	0.005	0.13	0.018	0.46	1.4	0.030	0.76	1.125	28.58
1	±0.005	±0.13	+0.005/-0.008	+0.13/-0.20	0.008	0.20	0.025	0.64	1.4	0.030	0.76	1.5	38.1
1-1/2	±0.008	±0.20	+0.005/-0.008	+0.13/-0.20	0.008	0.20	0.034	0.86	1.3	0.050	1.27	2.25	57.1
2	±0.008	±0.20	+0.005/-0.008	+0.13/-0.20	0.008	0.20	0.043	1.09	1.2	0.050	1.27	3.000	76.2
2-1/2	±0.010	±0.25	+0.005/-0.008	+0.13/-0.20	0.010	0.25	0.054	1.37	1.2	0.050	1.27	3.750	95.25
3	±0.010	±0.25	+0.005/-0.008	+0.13/-0.20	0.016	0.41	0.068	1.73	1.3	0.050	1.27	4.500	114.30
4	±0.015	±0.38	+0.008/-0.010	+0.20/-0.25	0.016	0.41	0.086	2.18	1.2	0.060	1.52	6.000	152.40
6	±0.030	±0.76	+0.015/-0.015	+0.38/-0.38	0.030	0.76	0.135	3.43	1.3	0.060	1.52	9.000	228.60

Note generali

- La tolleranza sulla dimensione da estremità a estremità e da centro a estremità E è +0,050" (1.27 mm)
- La tolleranza per il raggio della linea centrale (ULR) è +10% della dimensione nominale
- La lunghezza della porzione di controllo C è fissata per tutte le dimensioni a 0,75" (19 mm)

Composizioni chimiche delle estremità di saldatura (peso%)

in.	C	Si	Mn	P	S	Ni	Cr	Mo
Min.	-	-	-	-	0.005	10.000	16.000	2.000
Max.	0.035	1.000	2.000	0.045	0.017	14.000	18.000	3.000

Requisiti di finitura della superficie di contatto del processo BPE Tabella SF-2.4-1

Surface Designation	Mechanically Polished Ra Max.	
	µin.	µm
SF0	No finish requirement	No finish requirement
SF1	20	0.51
SF2	25	0.64
SF3	30	0.76
Surface Designation	Electropolished Ra Max.	
	µin.	µm
SF4	15	0.38
SF5	20	0.51
SF6	25	0.64

Tubi BPE

Tavole di comparazione

Criteria di accettazione per le finiture delle superfici di contatto del processo metallico Tabella SF-2.2-1

Anomaly or Indication	Acceptance Criteria
Pits	If diameter <0.020" (0.51 mm) and bottom is shiny [Notes (1) and (2)]. Pits <0.003 (0.08 mm) diameter is irrelevant and acceptable.
Cluster of pits	No more than 4 pits per each ½" x ½" (13 mm x 13 mm) inspection window The cumulative total diameter of all relevant pits shall not exceed 0.040" (1.02 mm).
Dents	None accepted [Note (3)].
Finishing marks	If Ra max. is met.
Welds	Welds used in the as-welded condition shall meet the requirements of MJ-8. Welds finished after welding shall be flush with the base metal, and concavity and convexity shall meet the requirements of MJ-8. Such finishing shall meet the Ra requirements of Table SF-2.4-1.
Nicks	None accepted.
Scratches	For tubing, if cumulative length is <12.0" (305 mm) per 20' (6.1 m) tube length or prorated and if depth is <0.003" (0.08 mm). For fittings, valves and other process components, if cumulative length is <0.25" (6.4 mm), depth <0.003" (0.08 mm), and Ra max. is met. For vessels, if length <0.50" (13 mm) at 0.003" (0.08 mm) depth and if <3 per inspection window [Note (4)].
Surface cracks	None accepted.
Surface inclusions	If Ra max. is met.
Surface residuals	None accepted, visual inspection.
Surface roughness (Ra)	See Table SF-2.4-1.
Weld slag	For tubing, up to 3 per 20' (6.1 m) length or prorated, if <75% of the width of the weld bead. For fittings, valves, vessels, and other process components, none accepted (as welded shall meet the requirements of MJ-8 and Table MJ-8.4-1).
Porosity	None open to the surface.
Buffing	None accepted.

Note generali

- 1) Black bottom pit of any depth is not acceptable
- 2) Pits in super-austenitic and nickel alloys may exceed this value. Acceptance criteria for pit size shall be established by agreement with the supplier. All other pit criteria remain the same.
- 3) For vessels, dents in the area covered by one resulting from welding dimple near transfer lackets are acceptable
- 4) An inspection window is defined as an area 4' x 4" (100 mm x 100 mm).

Tubi BPE

Tavole di comparazione

Ulteriori criteri di accettazione per Tabella delle finiture delle superfici di contatto del processo metallico elettrolucidato SF-2.2-2

Anomaly or Indication	Acceptance Criteria
Blistering	None accepted
Buffering	None accepted
Cloudiness	None accepted
End grain effect	Acceptable if Ra max. is met
Fixture marks	None accepted
Haze	None accepted
Orange peel	Acceptable if Ra max. is met
Stringer indication	Acceptable if Ra max. is met
Weld whitening	Acceptable if Ra max. is met
Variance in luster	Acceptable if Ra max. is met

Referenze

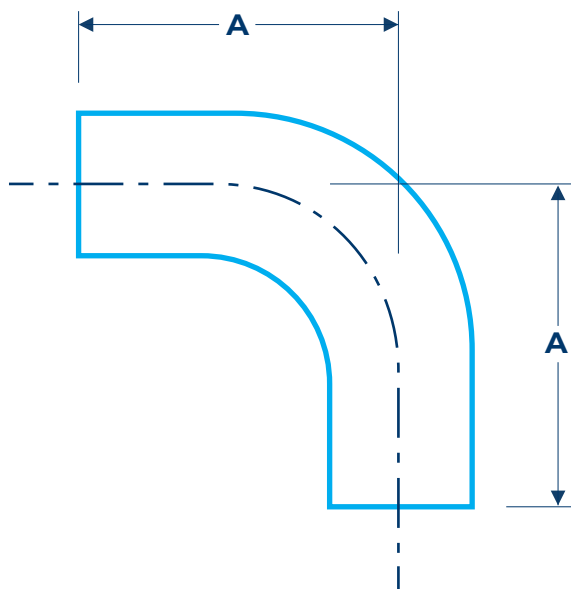
- American Society of Mechanical Engineers. 2014. 'ASME BPE-2014 Bioprocessing Equipment. Part DT Dimensions and Tolerances for Process Components: 96
- ASTM International, 2015. 'A270/A270M-15', Table 1 Chemical Requirements: 3
- American Society of Mechanical Engineers, 2014. "'ASME BPE-2014 Bioprocessing Equipment', Part SF Process Contact Surface Finishes: 141, 142

The background is a solid bright blue color. On the left side, there are several overlapping, curved, semi-transparent shapes in various shades of blue, creating a layered, organic effect. These shapes resemble stylized waves or abstract forms.

PRODOTTI
PRODUCT

BPE tube fitting

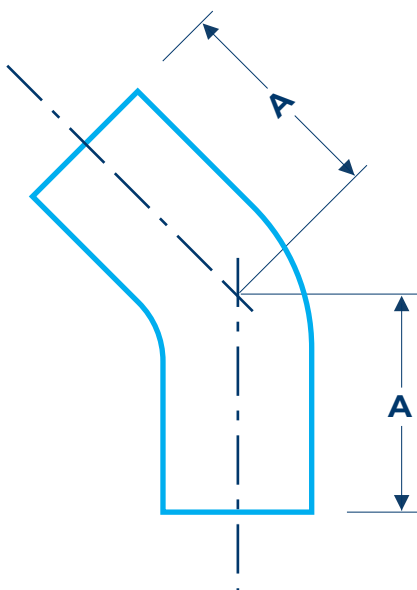
DT-7 - DT-4.1.1-1 - 90° Elbow WW



NORMAL SIZE		A		PRODUCT CODE	
Inch	mm	Inch	mm	SF1	SF4
1/2	12.70	3.000	76.20	UTBPEDT7050-F1	UTBPEDT7050-F4
3/4	19.05	3.000	76.20	UTBPEDT7075-F1	UTBPEDT7075-F4
1	25.40	3.000	76.20	UTBPEDT7100-F1	UTBPEDT7100-F4
1-1/2	38.10	3.750	95.30	UTBPEDT7150-F1	UTBPEDT7150-F4
2	50.80	4.750	120.70	UTBPEDT7200-F1	UTBPEDT7200-F4
2-1/2	63.50	5.500	139.70	UTBPEDT7250-F1	UTBPEDT7250-F4
3	76.20	6.250	158.80	UTBPEDT7300-F1	UTBPEDT7300-F4
4	101.60	8.000	203.20	UTBPEDT7400-F1	UTBPEDT7400-F4
6	152.40	11.500	292.10	UTBPEDT7600-F1	UTBPEDT7600-F4

BPE tube fitting

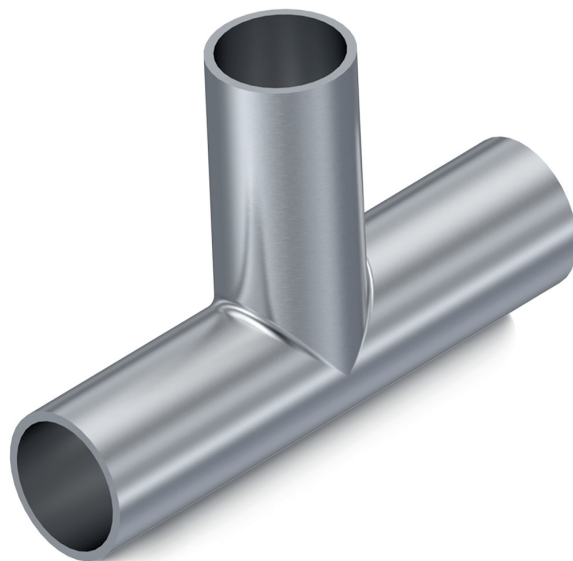
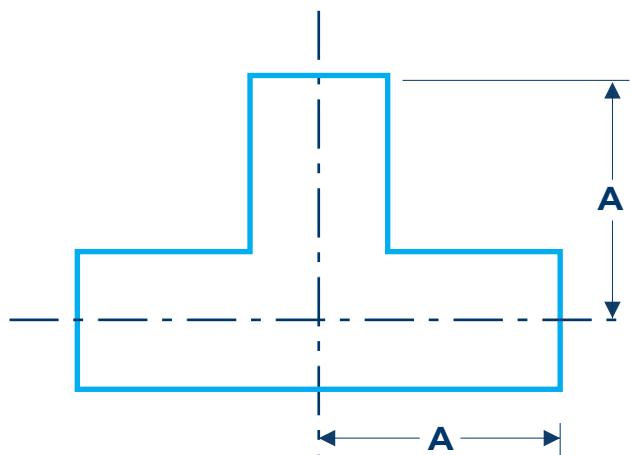
DT-8 - DT-4.1.1-4 - 45° Elbow WW



NORMAL SIZE		A		PRODUCT CODE	
Inch	mm	Inch	mm	SF1	SF4
1/2	12.70	2.250	57.20	UTBPEDT8050-F1	UTBPEDT8050-F4
3/4	19.05	2.250	57.20	UTBPEDT8075-F1	UTBPEDT8075-F4
1	25.40	2.250	57.20	UTBPEDT8100-F1	UTBPEDT8100-F4
1-1/2	38.10	2.500	63.50	UTBPEDT8150-F1	UTBPEDT8150-F4
2	50.80	3.000	76.20	UTBPEDT8200-F1	UTBPEDT8200-F4
2-1/2	63.50	3.375	85.70	UTBPEDT8250-F1	UTBPEDT8250-F4
3	76.20	3.625	92.10	UTBPEDT8300-F1	UTBPEDT8300-F4
4	101.60	4.500	114.30	UTBPEDT8400-F1	UTBPEDT8400-F4
6	152.40	6.250	158.80	UTBPEDT8600-F1	UTBPEDT8600-F4

BPE tube fitting

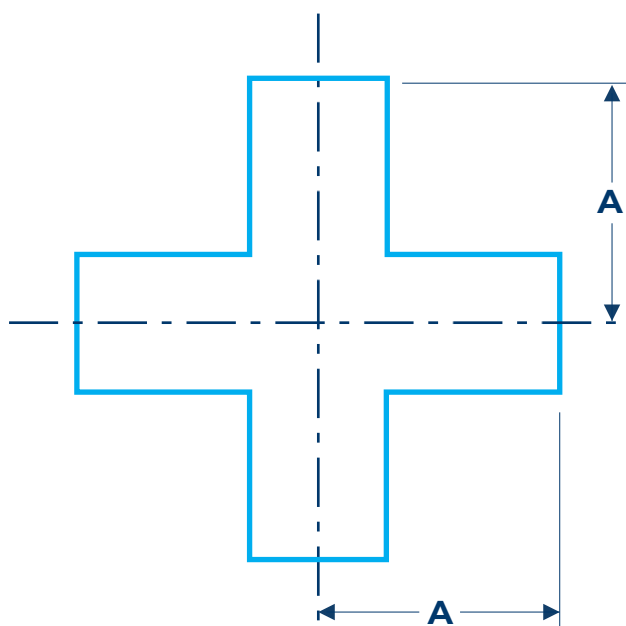
DT-9 - DT-4.1.2-1 - 45° Equal Tee WWW



NORMAL SIZE		A		PRODUCT CODE	
Inch	mm	Inch	mm	SF1	SF4
1/2	12.70	1.875	47.60	UTBPEDT9050-SF1	UTBPEDT9050-SF4
3/4	19.05	2.000	50.80	UTBPEDT9075-SF1	UTBPEDT9075-SF4
1	25.40	2.250	54.00	UTBPEDT9100-SF1	UTBPEDT9100-SF4
1-1/2	38.10	2.125	60.30	UTBPEDT9150-SF1	UTBPEDT9150-SF4
2	50.80	2.375	73.00	UTBPEDT9200-SF1	UTBPEDT9200-SF4
2-1/2	63.50	2.875	79.40	UTBPEDT9250-SF1	UTBPEDT9250-SF4
3	76.20	3.125	85.70	UTBPEDT9300-SF1	UTBPEDT9300-SF4
4	101.60	4.125	104.80	UTBPEDT9400-SF1	UTBPEDT9400-SF4
6	152.40	5.625	142.90	UTBPEDT9600-SF1	UTBPEDT9600-SF4

BPE tube fitting

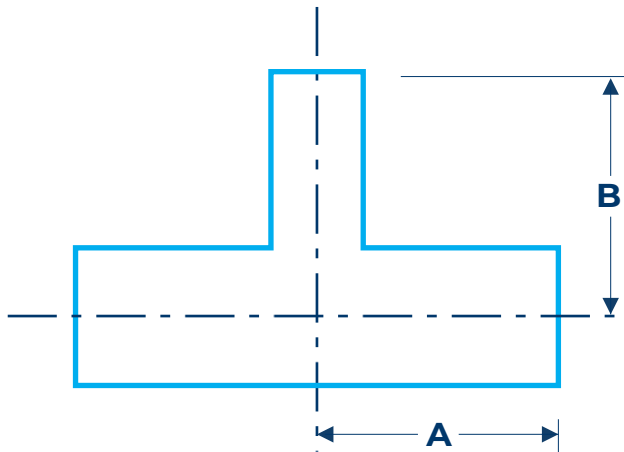
DT-9C - DT-4.1.2-1 - 45° Equal Cross WWWW



NORMAL SIZE		A		PRODUCT CODE	
Inch	mm	Inch	mm	SF1	SF4
1/2	12.70	1.875	47.60	UTBPEDT9C050-F1	UTBPEDT9C050-SF4
3/4	19.05	2.000	50.80	UTBPEDT9C075-SF1	UTBPEDT9C075-SF4
1	25.40	2.250	54.00	UTBPEDT9C100-SF1	UTBPEDT9C100-SF4
1-1/2	38.10	2.125	60.30	UTBPEDT9C150-SF1	UTBPEDT9C150-SF4
2	50.80	2.375	73.00	UTBPEDT9C200-SF1	UTBPEDT9C200-SF4
2-1/2	63.50	2.875	79.40	UTBPEDT9C250-SF1	UTBPEDT9C250-SF4
3	76.20	3.125	85.70	UTBPEDT9C300-SF1	UTBPEDT9C300-SF4
4	101.60	4.125	104.80	UTBPEDT9C400-SF1	UTBPEDT9C400-SF4
6	152.40	5.625	142.90	UTBPEDT9C600-SF1	UTBPEDT9C600-SF4

BPE tube fitting

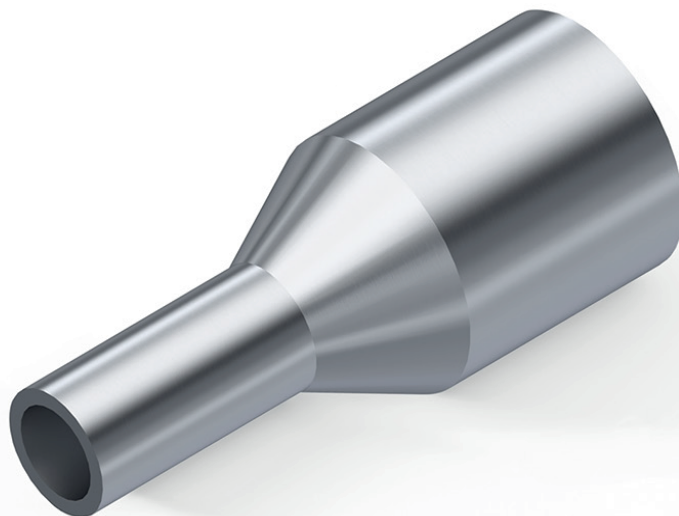
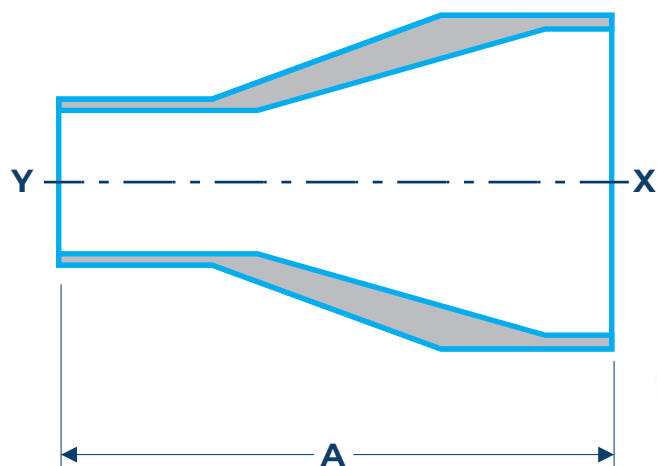
DT-10 - DT-4.1.2-6 - Reducing Tee WWW



NORMAL SIZE		A		B		PRODUCT CODE	
Inch	mm	Inch	mm	Inch	mm	SF1	SF4
3/4 x 1/2	19.05 x 12.70	2.000	50.80	2.000	50.80	UTBPEDT10075050-F1	UTBPEDT10075050-F4
1 x 1/2	25.40 x 12.70	2.125	54.00	2.125	54.00	UTBPEDT10100050-F1	UTBPEDT10100050-F4
1 x 3/4	25.40 x 19.05	2.125	54.00	2.125	54.00	UTBPEDT10100075-F1	UTBPEDT10100075-F4
1-1/2 x 1/2	38.10 x 12.70	2.375	60.30	2.375	60.30	UTBPEDT10150050-F1	UTBPEDT10150050-F4
1-1/2 x 3/4	38.10 x 19.05	2.375	60.30	2.375	60.30	UTBPEDT10150075-F1	UTBPEDT10150075-F4
1-1/2 x 1	38.10 x 25.40	2.375	60.30	2.375	60.30	UTBPEDT10150100-F1	UTBPEDT10150100-F4
2 x 1/2	50.80 x 12.70	2.875	73.00	2.625	66.70	UTBPEDT10200050-F1	UTBPEDT10200050-F4
2 x 3/4	50.80 x 19.05	2.875	73.00	2.625	66.70	UTBPEDT10200075-F1	UTBPEDT10200075-F4
2 x 1	50.80 x 25.40	2.875	73.00	2.625	66.70	UTBPEDT10200100-F1	UTBPEDT10200100-F4
2 x 1-1/2	50.80 x 38.10	2.875	73.00	2.625	66.70	UTBPEDT10200150-F1	UTBPEDT10200150-F4
2-1/2 x 1/2	63.50 x 12.70	3.125	79.40	2.875	73.00	UTBPEDT10250050-F1	UTBPEDT10250050-F4
2-1/2 x 3/4	63.50 x 19.05	3.125	79.40	2.875	73.00	UTBPEDT10250075-F1	UTBPEDT10250075-F4
2-1/2 x 1	63.50 x 25.40	3.125	79.40	2.875	73.00	UTBPEDT10250100-F1	UTBPEDT10250100-F4
2-1/2 x 1-1/2	63.50 x 38.10	3.125	79.40	2.875	73.00	UTBPEDT10250150-F1	UTBPEDT10250150-F4
2-1/2 x 2	63.50 x 50.80	3.125	79.40	2.875	73.00	UTBPEDT10250200-F1	UTBPEDT10250200-F4
3 x 1/2	76.20 x 12.70	3.375	85.70	3.125	79.40	UTBPEDT10300050-F1	UTBPEDT10300050-F4
3 x 3/4	76.20 x 19.05	3.375	85.70	3.125	79.40	UTBPEDT10300075-F1	UTBPEDT10300075-F4
3 x 1	76.20 x 25.40	3.375	85.70	3.125	79.40	UTBPEDT10300100-F1	UTBPEDT10300100-F4
3 x 1-1/2	76.20 x 38.10	3.375	85.70	3.125	79.40	UTBPEDT10300150-F1	UTBPEDT10300150-F4
3 x 2	76.20 x 50.80	3.375	85.70	3.125	79.40	UTBPEDT10300200-F1	UTBPEDT10300200-F4
3 x 2-1/2	76.20 x 63.50	3.375	85.70	3.125	79.40	UTBPEDT10300250-F1	UTBPEDT10300250-F4
4 x 1/2	101.60 x 12.70	4.125	104.80	3.625	92.10	UTBPEDT10400050-F1	UTBPEDT10400050-F4
4 x 3/4	101.60 x 19.05	4.125	104.80	3.625	92.10	UTBPEDT10400075-F1	UTBPEDT10400075-F4
4 x 1	101.60 x 25.40	4.125	104.80	3.625	92.10	UTBPEDT10400100-F1	UTBPEDT10400100-F4
4 x 1-1/2	101.60 x 38.10	4.125	104.80	3.625	92.10	UTBPEDT10400150-F1	UTBPEDT10400150-F4
4 x 2	101.60 x 50.80	4.125	104.80	3.875	98.40	UTBPEDT10400200-F1	UTBPEDT10400200-F4
4 x 2-1/2	101.60 x 63.50	4.125	104.80	3.875	98.40	UTBPEDT10400250-F1	UTBPEDT10400250-F4
4 x 3	101.60 x 76.20	4.125	104.80	3.875	98.40	UTBPEDT10400300-F1	UTBPEDT10400300-F4
6 x 3	152.40 x 76.20	5.625	142.90	4.875	123.80	UTBPEDT10600300-F1	UTBPEDT10600300-F4
6 x 4	152.40 x 101.60	5.625	142.90	5.125	130.20	UTBPEDT10600400-F1	UTBPEDT10600400-F4

BPE tube fitting

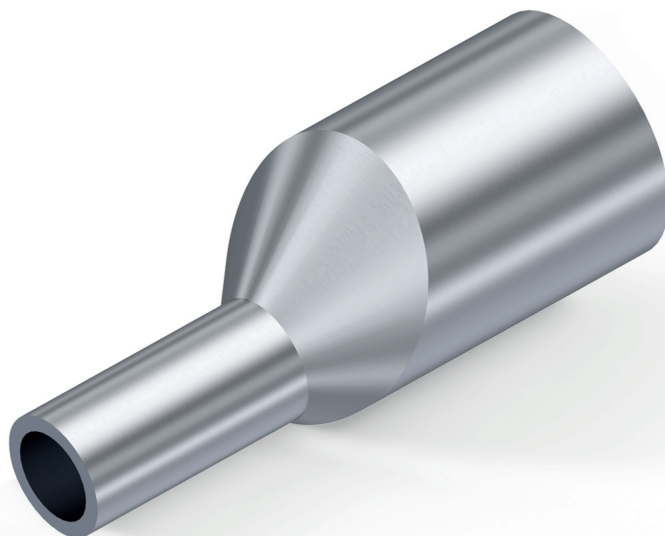
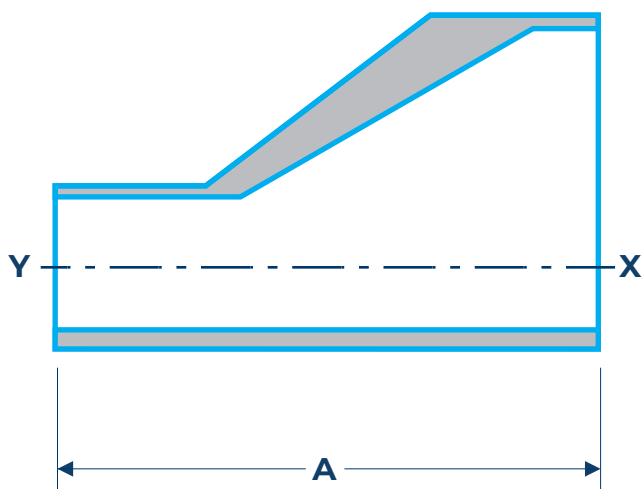
DT-11C(b) - BPE DT-4.1.3-1 - Concentric reducer WW



NORMAL SIZE		A		PRODUCT CODE	
Inch	mm	Inch	mm	SF1	SF4
3/8 x 1/4	19.05 x 12.70	2.125	54.00	UTBPEDT11C075050-F1	UTBPEDT11C075050-F4
1 x 1/2	25.40 x 12.70	2.500	63.50	UTBPEDT11C100050-F1	UTBPEDT11C100050-F4
1 x 3/4	25.40 x 19.05	2.125	54.00	UTBPEDT11C100075-F1	UTBPEDT11C100075-F4
1-1/2 x 3/4	38.10 x 19.05	3.000	76.20	UTBPEDT11C150075-F1	UTBPEDT11C150075-F4
1-1/2 x 1	38.10 x 25.40	2.500	63.50	UTBPEDT11C150100-F1	UTBPEDT11C150100-F4
2 x 1	50.80 x 25.40	3.375	85.70	UTBPEDT11C200100-F1	UTBPEDT11C200100-F4
2 x 1-1/2	50.80 x 38.10	2.500	63.50	UTBPEDT11C200150-F1	UTBPEDT11C200150-F4
2-1/2 x 1-1/2	63.50 x 38.10	3.375	85.70	UTBPEDT11C250150-F1	UTBPEDT11C250150-F4
2-1/2 x 2	63.50 x 50.80	2.500	63.50	UTBPEDT11C250200-F1	UTBPEDT11C250200-F4
3 x 1-1/2	76.20 x 38.10	4.250	108.00	UTBPEDT11C300150-F1	UTBPEDT11C300150-F4
3 x 2	76.20 x 50.80	3.375	85.70	UTBPEDT11C300200-F1	UTBPEDT11C300200-F4
3 x 2-1/2	76.20 x 63.50	2.625	66.70	UTBPEDT11C300250-F1	UTBPEDT11C300250-F4
4 x 2	101.60 x 50.80	5.125	130.20	UTBPEDT11C400200-F1	UTBPEDT11C400200-F4
4 x 2-1/2	101.60 x 63.50	4.250	108.00	UTBPEDT11C400250-F1	UTBPEDT11C400250-F4
4 x 3	101.60 x 76.20	3.875	94.40	UTBPEDT11C400300-F1	UTBPEDT11C400300-F4
6 x 3	152.40 x 76.20	7.250	184.20	UTBPEDT11C600300-F1	UTBPEDT11C600300-F4
6 x 4	152.40 x 101.60	5.625	142.90	UTBPEDT11C600400-F1	UTBPEDT11C600400-F4

BPE tube fitting

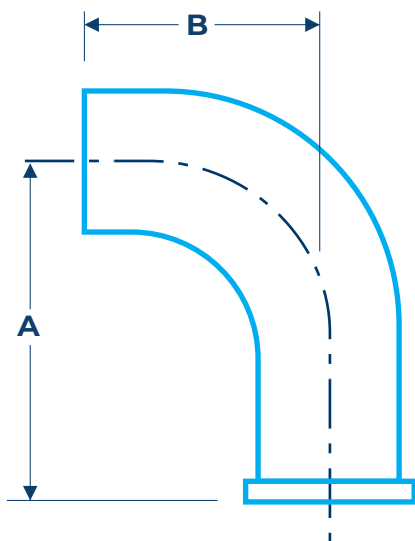
DT-11E(b) - BPE DT-4.1.3-1 - Concentric reducer WW



NORMAL SIZE		A		PRODUCT CODE	
Inch	mm	Inch	mm	SF1	SF4
3/8 x 1/4	19.05 x 12.70	2.125	54.00	UTBPEDT11E075050-F1	UTBPEDT11E075050-F4
1 x 1/2	25.40 x 12.70	2.500	63.50	UTBPEDT11E100050-F1	UTBPEDT11E100050-F4
1 x 3/4	25.40 x 19.05	2.125	54.00	UTBPEDT11E100075-F1	UTBPEDT11E100075-F4
1-1/2 x 3/4	38.10 x 19.05	3.000	76.20	UTBPEDT11E150075-F1	UTBPEDT11E150075-F4
1-1/2 x 1	38.10 x 25.40	2.500	63.50	UTBPEDT11E150100-F1	UTBPEDT11E150100-F4
2 x 1	50.80 x 25.40	3.375	85.70	UTBPEDT11E200100-F1	UTBPEDT11E200100-F4
2 x 1-1/2	50.80 x 38.10	2.500	63.50	UTBPEDT11E200150-F1	UTBPEDT11E200150-F4
2-1/2 x 1-1/2	63.50 x 38.10	3.375	85.70	UTBPEDT11E250150-F1	UTBPEDT11E250150-F4
2-1/2 x 2	63.50 x 50.80	2.500	63.50	UTBPEDT11E250200-F1	UTBPEDT11E250200-F4
3 x 1-1/2	76.20 x 38.10	4.250	108.00	UTBPEDT11E300150-F1	UTBPEDT11E300150-F4
3 x 2	76.20 x 50.80	3.375	85.70	UTBPEDT11E300200-F1	UTBPEDT11E300200-F4
3 x 2-1/2	76.20 x 63.50	2.625	66.70	UTBPEDT11E300250-F1	UTBPEDT11E300250-F4
4 x 2	101.60 x 50.80	5.125	130.20	UTBPEDT11E400200-F1	UTBPEDT11E400200-F4
4 x 2-1/2	101.60 x 63.50	4.250	108.00	UTBPEDT11E400250-F1	UTBPEDT11E400250-F4
4 x 3	101.60 x 76.20	3.875	94.40	UTBPEDT11E400300-F1	UTBPEDT11E400300-F4
6 x 3	152.40 x 76.20	7.250	184.20	UTBPEDT11E600300-F1	UTBPEDT11E600300-F4
6 x 4	152.40 x 101.60	5.625	142.90	UTBPEDT11E600400-F1	UTBPEDT11E600400-F4

BPE tube fitting

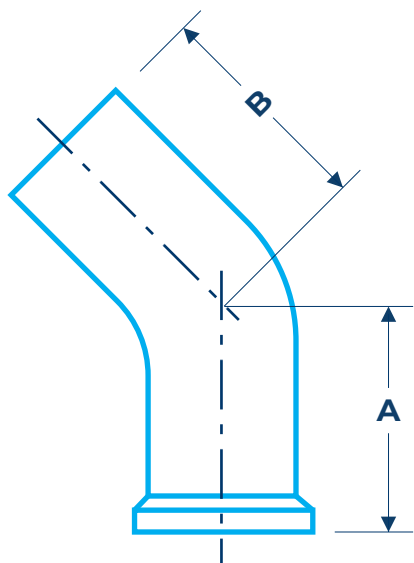
DT-12 - DT-4.1.1-2 - 90° Elbow CW



NORMAL SIZE		A		B		PRODUCT CODE	
Inch	mm	Inch	mm	Inch	mm	SF1	SF4
1/2	12.70	3.000	76.20	1.625	41.30	UTBPEDT12050-F1	UTBPEDT12050-F4
3/4	19.05	3.000	76.20	1.625	41.30	UTBPEDT12075-F1	UTBPEDT12075-F4
1	25.40	3.000	76.20	2.000	50.80	UTBPEDT12100-F1	UTBPEDT12100-F4
1-1/2	38.10	3.750	95.30	2.750	69.90	UTBPEDT12150-F1	UTBPEDT12150-F4
2	50.80	4.750	120.70	3.500	88.90	UTBPEDT12200-F1	UTBPEDT12200-F4
2-1/2	63.50	5.500	139.70	4.250	108.00	UTBPEDT12250-F1	UTBPEDT12250-F4
3	76.20	6.250	158.80	5.000	127.00	UTBPEDT12300-F1	UTBPEDT12300-F4
4	101.60	8.000	203.20	6.625	168.20	UTBPEDT12400-F1	UTBPEDT12400-F4
6	152.40	11.500	292.10	10.500	266.70	UTBPEDT12600-F1	UTBPEDT12600-F4

BPE tube fitting

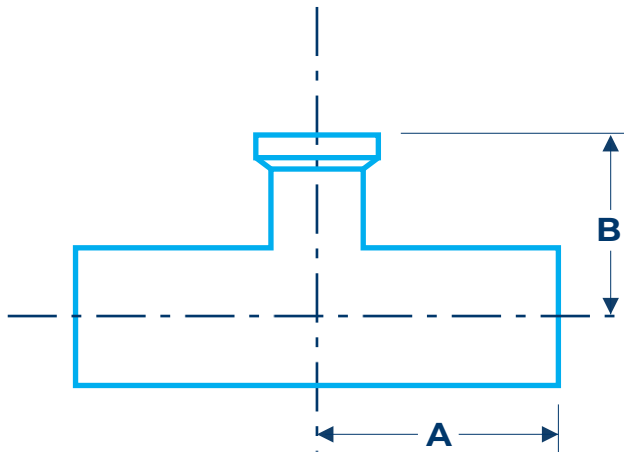
DT-13 - DT-4.1.1-5 - 45° Elbow CW



NORMAL SIZE		A		B		PRODUCT CODE	
Inch	mm	Inch	mm	Inch	mm	SF1	SF4
1/2	12.70	2.250	57.20	1.000	25.40	UTBPEDT13050-F1	UTBPEDT13050-F4
3/4	19.05	2.250	57.20	1.000	25.40	UTBPEDT13075-F1	UTBPEDT13075-F4
1	25.40	2.250	57.20	1.125	28.60	UTBPEDT13100-F1	UTBPEDT13100-F4
1-1/2	38.10	2.500	63.50	1.438	36.50	UTBPEDT13150-F1	UTBPEDT13150-F4
2	50.80	3.000	176.20	1.750	44.50	UTBPEDT13200-F1	UTBPEDT13200-F4
2-1/2	63.50	3.375	85.70	2.063	52.40	UTBPEDT13250-F1	UTBPEDT13250-F4
3	76.20	3.675	92.50	2.375	60.30	UTBPEDT13300-F1	UTBPEDT13300-F4
4	101.60	4.500	114.30	3.125	79.40	UTBPEDT13400-F1	UTBPEDT13400-F4
6	152.40	6.250	158.80	5.250	133.40	UTBPEDT13600-F1	UTBPEDT13600-F4

BPE tube fitting

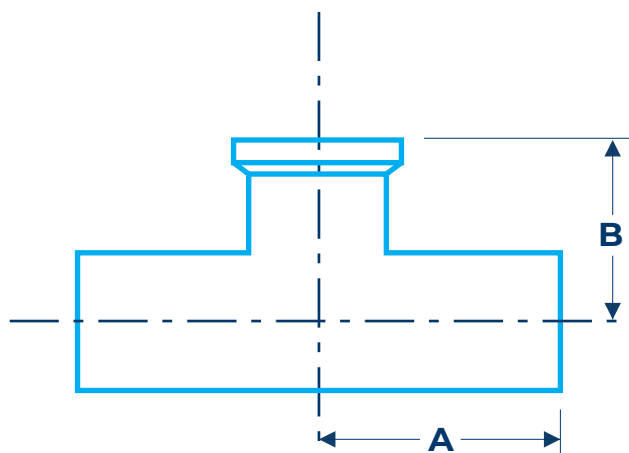
DT-14 - DT-4.1.2-7 - Short Outlet Reducing Tee WCW



NORMAL SIZE		A		B		PRODUCT CODE	
Inch	mm	Inch	mm	Inch	mm	SF1	SF4
3/4 x 1/2	19.05 x 12.70	2.000	50.80	1.000	25.40	UTBPEDT14075050-F1	UTBPEDT14075050-F4
1 x 1/2	25.40 x 12.70	2.125	54.00	1.125	28.60	UTBPEDT14100050-F1	UTBPEDT14100050-F4
1 x 3/4	25.40 x 19.05	2.125	54.00	1.125	28.60	UTBPEDT14100075-F1	UTBPEDT14100075-F4
1-1/2 x 1/2	38.10 x 12.70	2.375	60.30	1.375	34.90	UTBPEDT14150050-F1	UTBPEDT14150050-F4
1-1/2 x 3/4	38.10 x 19.05	2.375	60.30	1.375	34.90	UTBPEDT14150075-F1	UTBPEDT14150075-F4
1-1/2 x 1	38.10 x 25.40	2.375	60.30	1.375	34.90	UTBPEDT14150100-F1	UTBPEDT14150100-F4
2 x 1/2	50.80 x 12.70	2.875	73.00	1.625	41.30	UTBPEDT14200050-F1	UTBPEDT14200050-F4
2 x 3/4	50.80 x 19.05	2.875	73.00	1.625	41.30	UTBPEDT14200075-F1	UTBPEDT14200075-F4
2 x 1	50.80 x 25.40	2.875	73.00	1.625	41.30	UTBPEDT14200100-F1	UTBPEDT14200100-F4
2 x 1-1/2	50.80 x 38.10	2.875	73.00	1.625	41.30	UTBPEDT14200150-F1	UTBPEDT14200150-F4
2-1/2 x 1/2	63.50 x 12.70	3.125	79.40	1.875	47.60	UTBPEDT14250050-F1	UTBPEDT14250050-F4
2-1/2 x 3/4	63.50 x 19.05	3.125	79.40	1.875	47.60	UTBPEDT14250075-F1	UTBPEDT14250075-F4
2-1/2 x 1	63.50 x 25.40	3.125	79.40	1.875	47.60	UTBPEDT14250100-F1	UTBPEDT14250100-F4
2-1/2 x 1-1/2	63.50 x 38.10	3.125	79.40	1.875	47.60	UTBPEDT14250150-F1	UTBPEDT14250150-F4
2-1/2 x 2	63.50 x 50.80	3.125	79.40	1.875	47.60	UTBPEDT14250200-F1	UTBPEDT14250200-F4
3 x 1/2	76.20 x 12.70	3.375	85.70	2.125	54.00	UTBPEDT14300050-F1	UTBPEDT14300050-F4
3 x 3/4	76.20 x 19.05	3.375	85.70	2.125	54.00	UTBPEDT14300075-F1	UTBPEDT14300075-F4
3 x 1	76.20 x 25.40	3.375	85.70	2.125	54.00	UTBPEDT14300100-F1	UTBPEDT14300100-F4
3 x 1-1/2	76.20 x 38.10	3.375	85.70	2.125	54.00	UTBPEDT14300150-F1	UTBPEDT14300150-F4
3 x 2	76.20 x 50.80	3.375	85.70	2.125	54.00	UTBPEDT14300200-F1	UTBPEDT14300200-F4
3 x 2-1/2	76.20 x 63.50	3.375	85.70	2.125	54.00	UTBPEDT14300250-F1	UTBPEDT14300250-F4
4 x 1/2	101.60 x 12.70	4.125	104.80	2.625	66.70	UTBPEDT14400050-F1	UTBPEDT14400050-F4
4 x 3/4	101.60 x 19.05	4.125	104.80	2.625	66.70	UTBPEDT14400075-F1	UTBPEDT14400075-F4
4 x 1	101.60 x 25.40	4.125	104.80	2.625	66.70	UTBPEDT14400100-F1	UTBPEDT14400100-F4
4 x 1-1/2	101.60 x 38.10	4.125	104.80	2.625	66.70	UTBPEDT14400150-F1	UTBPEDT14400150-F4
4 x 2	101.60 x 50.80	4.125	104.80	2.625	66.70	UTBPEDT14400200-F1	UTBPEDT14400200-F4
4 x 2-1/2	101.60 x 63.50	4.125	104.80	2.625	66.70	UTBPEDT14400250-F1	UTBPEDT14400250-F4
4 x 3	101.60 x 76.20	4.125	104.80	2.625	66.70	UTBPEDT14400300-F1	UTBPEDT14400300-F4
6 x 1/2	152.40 x 12.70	5.625	142.90	3.625	92.30	UTBPEDT14600050-F1	UTBPEDT14600050-F4
6 x 3/4	152.40 x 19.05	5.625	142.90	3.625	92.30	UTBPEDT14600075-F1	UTBPEDT14600075-F4
6 x 1	152.40 x 25.40	5.625	142.90	3.625	92.30	UTBPEDT14600100-F1	UTBPEDT14600100-F4
6 x 1-1/2	152.40 x 38.10	5.625	142.90	3.625	92.30	UTBPEDT14600150-F1	UTBPEDT14600150-F4
6 x 2	152.40 x 50.80	5.625	142.90	3.625	92.30	UTBPEDT14600200-F1	UTBPEDT14600200-F4
6 x 2-1/2	152.40 x 63.50	5.625	142.90	3.625	92.30	UTBPEDT14600250-F1	UTBPEDT14600250-F4
6 x 3	152.40 x 76.20	5.625	142.90	3.625	92.30	UTBPEDT14600300-F1	UTBPEDT14600300-F4
6 x 4	152.40 x 101.60	5.625	142.90	3.625	92.30	UTBPEDT14600400-F1	UTBPEDT14600400-F4

BPE tube fitting

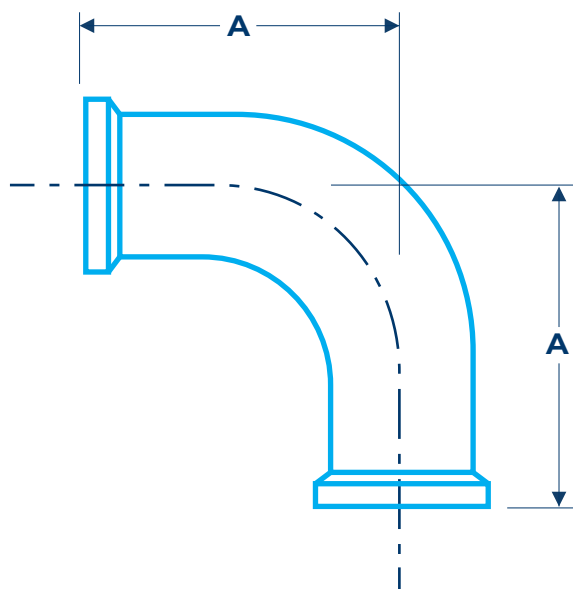
DT-15 - DT-4.1.2-2 - Short Outlet Equal Tee WCW



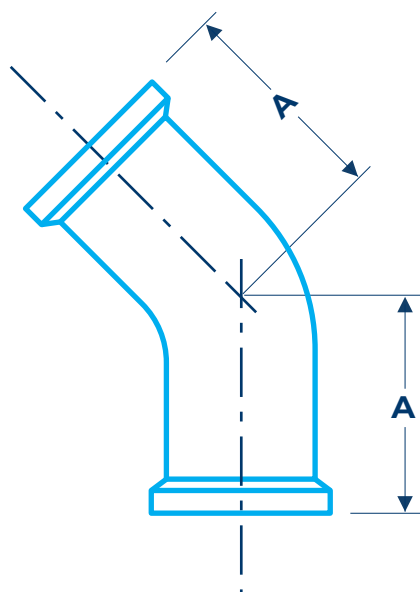
NORMAL SIZE		A		B		PRODUCT CODE	
Inch	mm	Inch	mm	Inch	mm	SF1	SF4
1/2	12.70	1.875	47.60	1.000	25.40	UTBPEDT15050-F1	UTBPEDT15050-F4
3/4	19.05	2.000	50.80	1.125	28.60	UTBPEDT15075-F1	UTBPEDT15075-F4
1	25.40	2.125	54.00	1.125	28.60	UTBPEDT15100-F1	UTBPEDT15100-F4
1-1/2	38.10	2.325	60.30	1.375	34.90	UTBPEDT15150-F1	UTBPEDT15150-F4
2	50.80	2.875	73.00	1.625	41.30	UTBPEDT15200-F1	UTBPEDT15200-F4
2-1/2	63.50	3.125	79.40	1.875	47.60	UTBPEDT15250-F1	UTBPEDT15250-F4
3	76.20	3.375	85.70	2.125	54.00	UTBPEDT15300-F1	UTBPEDT15300-F4
4	101.60	4.125	104.80	2.750	69.90	UTBPEDT15400-F1	UTBPEDT15400-F4
6	152.40	5.625	142.50	4.625	117.50	UTBPEDT15600-F1	UTBPEDT15600-F4

BPE tube fitting

DT-16 - DT-4.1.1-3 - 90° Clamp Elbow CC



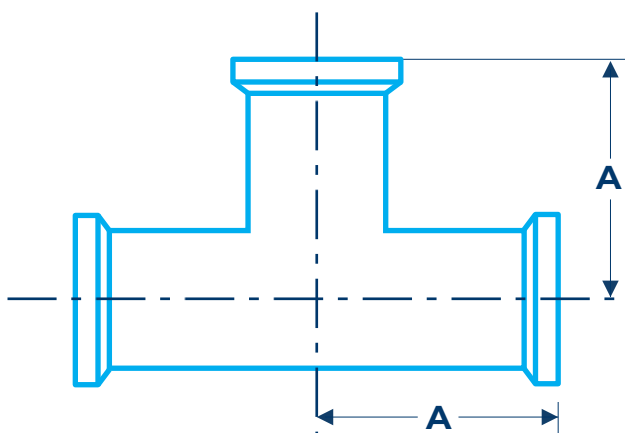
NORMAL SIZE		A		PRODUCT CODE	
Inch	mm	Inch	mm	SF1	SF4
1/2	12.70	1.625	41.30	UTBPEDT16050-F1	UTBPEDT16050-F4
3/4	19.05	1.625	41.30	UTBPEDT16075-F1	UTBPEDT16075-F4
1	25.40	2.000	50.80	UTBPEDT16100-F1	UTBPEDT16100-F4
1-1/2	38.10	2.750	69.90	UTBPEDT16150-F1	UTBPEDT16150-F4
2	50.80	3.500	88.90	UTBPEDT16200-F1	UTBPEDT16200-F4
2-1/2	63.50	4.250	108.00	UTBPEDT16250-F1	UTBPEDT16250-F4
3	76.20	5.000	127.00	UTBPEDT16300-F1	UTBPEDT16300-F4
4	101.60	6.625	168.30	UTBPEDT16400-F1	UTBPEDT16400-F4
6	152.40	10.500	266.70	UTBPEDT16600-F1	UTBPEDT16600-F4



NORMAL SIZE		A		PRODUCT CODE	
Inch	mm	Inch	mm	SF1	SF4
1/2	12.70	1.000	25.40	UTBPEDT17050-F1	UTBPEDT17050-F4
3/4	19.05	1.000	25.40	UTBPEDT17075-F1	UTBPEDT17075-F4
1	25.40	1.125	28.60	UTBPEDT17100-F1	UTBPEDT17100-F4
1-1/2	38.10	1.438	36.50	UTBPEDT17150-F1	UTBPEDT17150-F4
2	50.80	1.750	44.50	UTBPEDT17200-F1	UTBPEDT17200-F4
2-1/2	63.50	2.063	52.40	UTBPEDT17250-F1	UTBPEDT17250-F4
3	76.20	2.375	60.30	UTBPEDT17300-F1	UTBPEDT17300-F4
4	101.60	3.125	79.40	UTBPEDT17400-F1	UTBPEDT17400-F4
6	152.40	5.250	133.40	UTBPEDT17600-F1	UTBPEDT17600-F4

BPE tube fitting

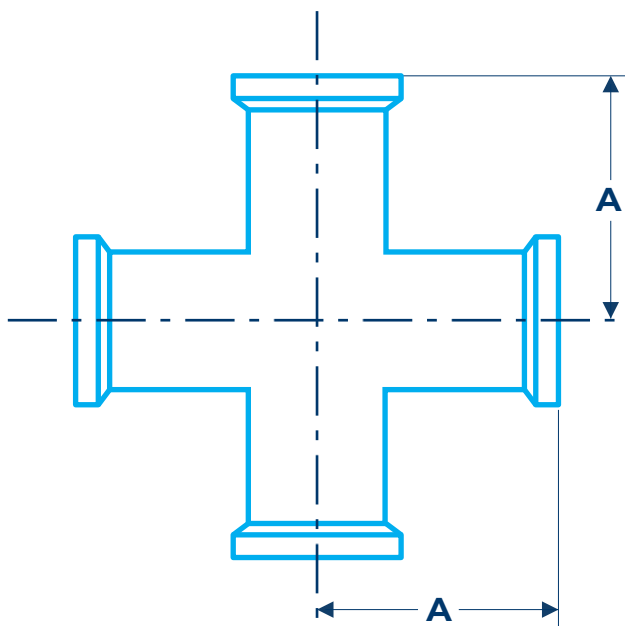
DT-18 - DT-4.1.2-4 - Clamp Equal Tee CCC



NORMAL SIZE		A		PRODUCT CODE	
Inch	mm	Inch	mm	SF1	SF4
1/2	12.70	2.250	57.20	UTBPEDT18050-F1	UTBPEDT18050-F4
3/4	19.05	2.375	60.30	UTBPEDT18075-F1	UTBPEDT18075-F4
1	25.40	2.625	66.70	UTBPEDT18100-F1	UTBPEDT18100-F4
1-1/2	38.10	2.875	73.00	UTBPEDT18150-F1	UTBPEDT18150-F4
2	50.80	3.375	85.70	UTBPEDT18200-F1	UTBPEDT18200-F4
2-1/2	63.50	3.625	92.10	UTBPEDT18250-F1	UTBPEDT18250-F4
3	76.20	3.875	98.40	UTBPEDT18300-F1	UTBPEDT18300-F4
4	101.60	4.750	120.70	UTBPEDT18400-F1	UTBPEDT18400-F4
6	152.40	7.125	181.00	UTBPEDT18600-F1	UTBPEDT18600-F4

BPE tube fitting

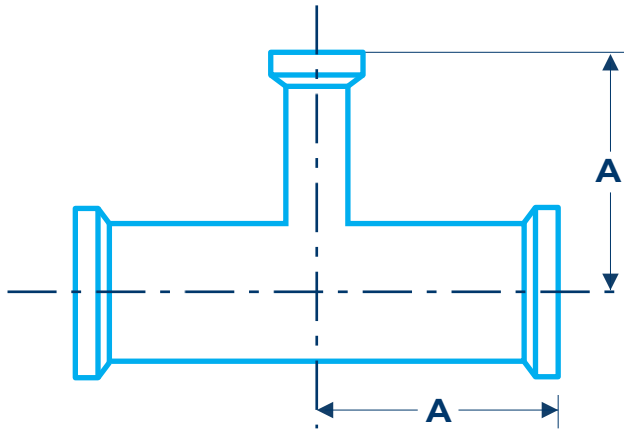
DT-18C - DT-4.1.2-4 - Clamp Equal Cross CCCC



NORMAL SIZE		A		PRODUCT CODE	
Inch	mm	Inch	mm	SF1	SF4
1/2	12.70	2.250	57.20		
3/4	19.05	2.375	60.30		
1	25.40	2.625	66.70		
1-1/2	38.10	2.875	73.00		
2	50.80	3.375	85.70		
2-1/2	63.50	3.625	92.10		
3	76.20	3.875	98.40		
4	101.60	4.750	120.70		
6	152.40	7.125	181.00		

BPE tube fitting

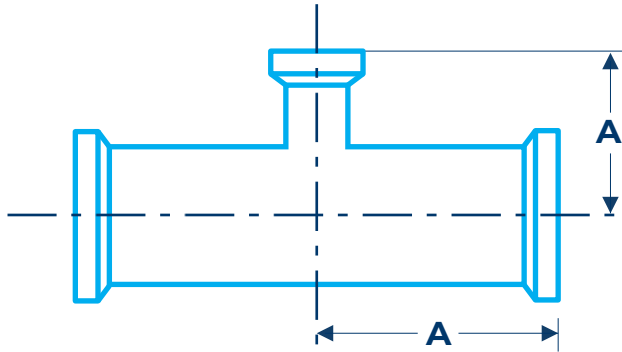
DT-19 - DT-4.1.2-8 - Clamp Reducing Tee CCC



NORMAL SIZE		A		B		PRODUCT CODE	
Inch	mm	Inch	mm	Inch	mm	SF1	SF4
3/4 x 1/2	19.05 x 12.70	2.500	63.50	2.500	63.50	UTBPEDT19075050-F1	UTBPEDT19075050-F4
1 x 1/2	25.40 x 12.70	2.625	66.70	2.625	66.70	UTBPEDT19100050-F1	UTBPEDT19100050-F4
1 x 3/4	25.40 x 19.05	2.625	66.70	2.625	66.70	UTBPEDT19100075-F1	UTBPEDT19100075-F4
1-1/2 x 1/2	38.10 x 12.70	2.875	73.00	2.875	73.00	UTBPEDT19150050-F1	UTBPEDT19150050-F4
1-1/2 x 3/4	38.10 x 19.05	2.875	73.00	2.875	73.00	UTBPEDT19150075-F1	UTBPEDT19150075-F4
1-1/2 x 1	38.10 x 25.40	2.875	73.00	2.875	73.00	UTBPEDT19150100-F1	UTBPEDT19150100-F4
2 x 1/2	50.80 x 12.70	3.375	85.70	3.125	79.40	UTBPEDT19200050-F1	UTBPEDT19200050-F4
2 x 3/4	50.80 x 19.05	3.375	85.70	3.125	79.40	UTBPEDT19200075-F1	UTBPEDT19200075-F4
2 x 1	50.80 x 25.40	3.375	85.70	3.125	79.40	UTBPEDT19200100-F1	UTBPEDT19200100-F4
2 x 1-1/2	50.80 x 38.10	3.375	85.70	3.125	79.40	UTBPEDT19200150-F1	UTBPEDT19200150-F4
2-1/2 x 1/2	63.50 x 12.70	3.625	92.10	3.375	85.70	UTBPEDT19250050-F1	UTBPEDT19250050-F4
2-1/2 x 3/4	63.50 x 19.05	3.625	92.10	3.375	85.70	UTBPEDT19250075-F1	UTBPEDT19250075-F4
2-1/2 x 1	63.50 x 25.40	3.625	92.10	3.375	85.70	UTBPEDT19250100-F1	UTBPEDT19250100-F4
2-1/2 x 1-1/2	63.50 x 38.10	3.625	92.10	3.375	85.70	UTBPEDT19250150-F1	UTBPEDT19250150-F4
2-1/2 x 2	63.50 x 50.80	3.625	92.10	3.375	85.70	UTBPEDT19250200-F1	UTBPEDT19250200-F4
3 x 1/2	76.20 x 12.70	3.875	98.40	3.625	92.10	UTBPEDT19300050-F1	UTBPEDT19300050-F4
3 x 3/4	76.20 x 19.05	3.875	98.40	3.625	92.10	UTBPEDT19300075-F1	UTBPEDT19300075-F4
3 x 1	76.20 x 25.40	3.875	98.40	3.625	92.10	UTBPEDT19300100-F1	UTBPEDT19300100-F4
3 x 1-1/2	76.20 x 38.01	3.875	98.40	3.625	92.10	UTBPEDT19300150-F1	UTBPEDT19300150-F4
3 x 2	76.20 x 50.80	3.875	98.40	3.625	92.10	UTBPEDT19300200-F1	UTBPEDT19300200-F4
3 x 2-1/2	76.20 x 63.50	3.875	98.40	3.625	92.10	UTBPEDT19300250-F1	UTBPEDT19300250-F4
4 x 1/2	101.60 x 12.70	4.750	120.70	4.125	104.80	UTBPEDT19400050-F1	UTBPEDT19400050-F4
4 x 3/4	101.60 x 19.05	4.750	120.70	4.125	104.80	UTBPEDT19400075-F1	UTBPEDT19400075-F4
4 x 1	101.60 x 25.40	4.750	120.70	4.125	104.80	UTBPEDT19400100-F1	UTBPEDT19400100-F4
4 x 1-1/2	101.60 x 38.20	4.750	120.70	4.125	104.80	UTBPEDT19400150-F1	UTBPEDT19400150-F4
4 x 2	101.60 x 50.80	4.750	120.70	4.375	111.10	UTBPEDT19400200-F1	UTBPEDT19400200-F4
4 x 2-1/2	101.60 x 63.50	4.750	120.70	4.375	111.10	UTBPEDT19400250-F1	UTBPEDT19400250-F4
4 x 3	101.60 x 76.20	4.750	120.70	4.375	111.10	UTBPEDT19400300-F1	UTBPEDT19400300-F4
6 x 1	152.40 x 25.40	7.125	181.00			UTBPEDT19600100-F1	UTBPEDT19600100-F4
6 x 1-1/2	152.40 x 38.01	7.125	181.00			UTBPEDT19600150-F1	UTBPEDT19600150-F4
6 x 2	152.40 x 50.80	7.125	181.00			UTBPEDT19600200-F1	UTBPEDT19600200-F4
6 x 2-1/2	152.40 x 63.50	7.125	181.00			UTBPEDT19600250-F1	UTBPEDT19600250-F4
6 x 3	152.40 x 76.20	7.125	181.00	5.375	136.50	UTBPEDT19600300-F1	UTBPEDT19600300-F4
6 x 4	152.40 x 101.60	7.125	181.00	5.750	146.10	UTBPEDT19600400-F1	UTBPEDT19600400-F4

BPE tube fitting

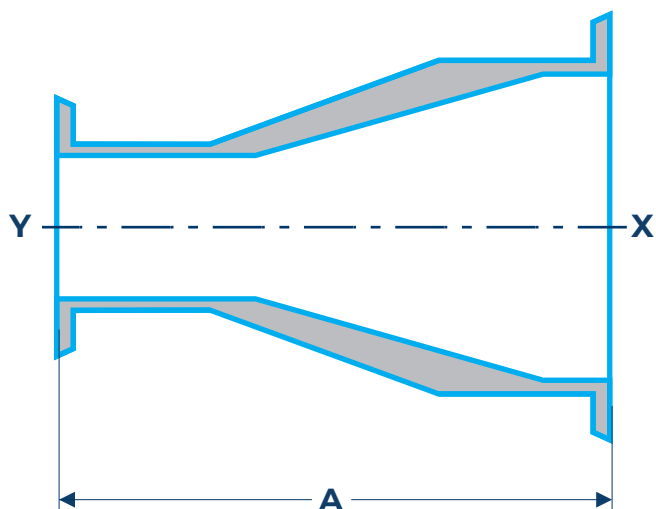
DT-20 - DT-4.1.2-9 - Short Reducing Tee CCC



NORMAL SIZE		A		B		PRODUCT CODE	
Inch	mm	Inch	mm	Inch	mm	SF1	SF4
3/4 x 1/2	19.05 x 12.70	2.500	63.50	1.000	25.40	UTBPEDT20075050-F1	UTBPEDT20075050-F4
1 x 1/2	25.40 x 12.70	2.625	66.70	1.125	28.60	UTBPEDT20100050-F1	UTBPEDT20100050-F4
1 x 3/4	25.40 x 19.05	2.625	66.70	1.125	28.60	UTBPEDT20100075-F1	UTBPEDT20100075-F4
1-1/2 x 1/2	38.10 x 12.70	2.875	73.00	1.375	34.90	UTBPEDT20150050-F1	UTBPEDT20150050-F4
1-1/2 x 3/4	38.10 x 19.05	2.875	73.00	1.375	34.90	UTBPEDT20150075-F1	UTBPEDT20150075-F4
1-1/2 x 1	38.10 x 25.40	2.875	73.00	1.375	34.90	UTBPEDT20150100-F1	UTBPEDT20150100-F4
2 x 1/2	50.80 x 12.70	3.375	85.70	1.625	41.30	UTBPEDT20200050-F1	UTBPEDT20200050-F4
2 x 3/4	50.80 x 19.05	3.375	85.70	1.625	41.30	UTBPEDT20200075-F1	UTBPEDT20200075-F4
2 x 1	50.80 x 25.40	3.375	85.70	1.625	41.30	UTBPEDT20200100-F1	UTBPEDT20200100-F4
2 x 1-1/2	50.80 x 38.10	3.375	85.70	1.625	41.30	UTBPEDT20200150-F1	UTBPEDT20200150-F4
2-1/2 x 1/2	63.50 x 12.70	3.625	92.10	1.875	47.60	UTBPEDT20250050-F1	UTBPEDT20250050-F4
2-1/2 x 3/4	63.50 x 19.05	3.625	92.10	1.875	47.60	UTBPEDT20250075-F1	UTBPEDT20250075-F4
2-1/2 x 1	63.50 x 25.40	3.625	92.10	1.875	47.60	UTBPEDT20250100-F1	UTBPEDT20250100-F4
2-1/2 x 1-1/2	63.50 x 38.10	3.625	92.10	1.875	47.60	UTBPEDT20250150-F1	UTBPEDT20250150-F4
2-1/2 x 2	63.50 x 50.80	3.625	92.10	1.875	47.60	UTBPEDT20250200-F1	UTBPEDT20250200-F4
3 x 1/2	76.20 x 12.70	3.875	98.40	2.125	54.00	UTBPEDT20300050-F1	UTBPEDT20300050-F4
3 x 3/4	76.20 x 19.05	3.875	98.40	2.125	54.00	UTBPEDT20300075-F1	UTBPEDT20300075-F4
3 x 1	76.20 x 25.40	3.875	98.40	2.125	54.00	UTBPEDT20300100-F1	UTBPEDT20300100-F4
3 x 1-1/2	76.20 x 38.10	3.875	98.40	2.125	54.00	UTBPEDT20300150-F1	UTBPEDT20300150-F4
3 x 2	76.20 x 50.80	3.875	98.40	2.125	54.00	UTBPEDT20300200-F1	UTBPEDT20300200-F4
3 x 2-1/2	76.20 x 63.50	3.875	98.40	2.125	54.00	UTBPEDT20300250-F1	UTBPEDT20300250-F4
4 x 1/2	101.60 x 12.70	4.750	120.70	2.625	66.70	UTBPEDT20400050-F1	UTBPEDT20400050-F4
4 x 3/4	101.60 x 19.05	4.750	120.70	2.625	66.70	UTBPEDT20400075-F1	UTBPEDT20400075-F4
4 x 1	101.60 x 25.40	4.750	120.70	2.625	66.70	UTBPEDT20400100-F1	UTBPEDT20400100-F4
4 x 1-1/2	101.60 x 38.10	4.750	120.70	2.625	66.70	UTBPEDT20400150-F1	UTBPEDT20400150-F4
4 x 2	101.60 x 50.80	4.750	120.70	2.625	66.70	UTBPEDT20400200-F1	UTBPEDT20400200-F4
4 x 2-1/2	101.60 x 63.50	4.750	120.70	2.625	66.70	UTBPEDT20400250-F1	UTBPEDT20400250-F4
4 x 3	101.60 x 76.20	4.750	120.70	2.625	66.70	UTBPEDT20400300-F1	UTBPEDT20400300-F4
6 x 1	152.40 x 25.40	7.125	7.125	3.625	92.10	UTBPEDT20600100-F1	UTBPEDT20600100-F4
6 x 1-1/2	152.40 x 38.40	7.125	7.125	3.625	92.10	UTBPEDT20600150-F1	UTBPEDT20600150-F4
6 x 2	152.40 x 50.80	7.125	7.125	3.625	92.10	UTBPEDT20600200-F1	UTBPEDT20600200-F4
6 x 2-1/2	152.40 x 63.50	7.125	7.125	3.625	92.10	UTBPEDT20600250-F1	UTBPEDT20600250-F4
6 x 3	152.40 x 76.20	7.125	181.00	3.625	92.10	UTBPEDT20600300-F1	UTBPEDT20600300-F4
6 x 4	152.40 x 101.60	7.125	181.00	3.750	95.30	UTBPEDT20600400-F1	UTBPEDT20600400-F4

BPE tube fitting

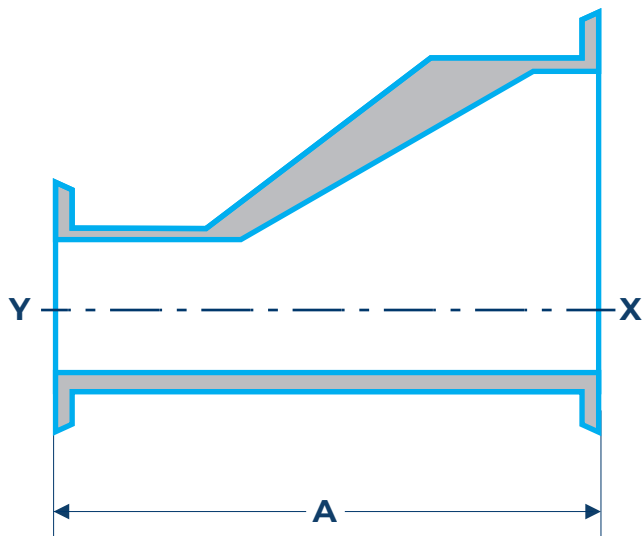
DT-21C (b) - DT-4.1.3-3 - Concentric Reducer CC



NORMAL SIZE		A		PRODUCT CODE	
Inch	mm	Inch	mm	SF1	SF4
3/4 x 1/2	19.05 x 12.70	3.125	79.40	UTBPEDT21C075050-F1	UTBPEDT21C075050-F4
1 x 1/2	25.40 x 12.70	3.500	88.90	UTBPEDT21C100050-F1	UTBPEDT21C100050-F4
1 x 3/4	25.40 x 19.05	3.125	79.40	UTBPEDT21C100075-F1	UTBPEDT21C100075-F4
1-1/2 x 3/4	38.10 x 19.05	4.000	101.60	UTBPEDT21C150075-F1	UTBPEDT21C150075-F4
1-1/2 x 1	38.10 x 25.40	3.500	88.90	UTBPEDT21C150100-F1	UTBPEDT21C150100-F4
2 x 1	50.80 x 25.40	4.375	111.10	UTBPEDT21C200100-F1	UTBPEDT21C200100-F4
2x1-1/2	50.80 x 38.10	3.500	88.90	UTBPEDT21C200150-F1	UTBPEDT21C200150-F4
2-1/2 x 1-1/2	63.50 x 38.10	4.375	111.10	UTBPEDT21C250150-F1	UTBPEDT21C250150-F4
2-1/2 x 2	63.50 x 50.80	3.500	88.90	UTBPEDT21C250200-F1	UTBPEDT21C250200-F4
3 x 1-1/2	76.20 x 38.10	5.250	133.40	UTBPEDT21C300150-F1	UTBPEDT21C300150-F4
3 x 2	76.20 x 50.80	4.375	111.10	UTBPEDT21C300200P-F1	UTBPEDT21C300200P-F4
3 x 2-1/2	76.20 x 38.10	3.625	92.10	UTBPEDT21C300250-F1	UTBPEDT21C300250-F4
4 x 2	101.60 x 50.80	6.250	158.80	UTBPEDT21C400200-F1	UTBPEDT21C400200-F4
4 x 2-1/2	101.60 x 63.50	5.375	136.50	UTBPEDT21C400250-F1	UTBPEDT21C400250-F4
4 x 3	101.60 x 76.20	5.000	127.00	UTBPEDT21C400300-F1	UTBPEDT21C400300-F4
6 x 3	152.40 x 76.20	8.500	215.90	UTBPEDT21C600300-F1	UTBPEDT21C600300-F4
6 x 4	152.40 x 101.60	7.000	177.80	UTBPEDT21C600400-F1	UTBPEDT21C600400-F4

BPE tube fitting

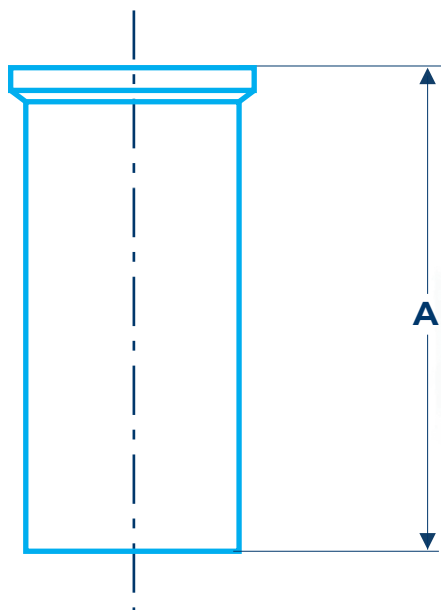
DT-21E (b) - DT-4.1.3-3 - Eccentric Reducer CC



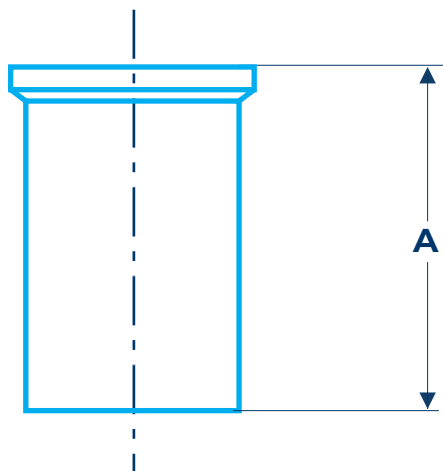
NORMAL SIZE		A		PRODUCT CODE	
Inch	mm	Inch	mm	SF1	SF4
3/4 x 1/2	19.05 x 12.70	3.125	79.40	UTBPEDT21E075050-F1	UTBPEDT21E075050-F4
1 x 1/2	25.40 x 12.70	3.500	88.90	UTBPEDT21E100050-F1	UTBPEDT21E100050-F4
1 x 3/4	25.40 x 19.05	3.125	79.40	UTBPEDT21E100075-F1	UTBPEDT21E100075-F4
1-1/2 x 3/4	38.10 x 19.05	4.000	101.60	UTBPEDT21E150075-F1	UTBPEDT21E150075-F4
1-1/2 x 1	38.10 x 25.40	3.500	88.90	UTBPEDT21E150100-F1	UTBPEDT21E150100-F4
2 x 1	50.80 x 25.40	4.375	111.10	UTBPEDT21E200100-F1	UTBPEDT21E200100-F4
2x1-1/2	50.80 x 38.10	3.500	88.90	UTBPEDT21E200150-F1	UTBPEDT21E200150-F4
2-1/2 x 1-1/2	63.50 x 38.10	4.375	111.10	UTBPEDT21E250150-F1	UTBPEDT21E250150-F4
2-1/2 x 2	63.50 x 50.80	3.500	88.90	UTBPEDT21E250200-F1	UTBPEDT21E250200-F4
3 x 1-1/2	76.20 x 38.10	5.250	133.40	UTBPEDT21E300150-F1	UTBPEDT21E300150-F4
3 x 2	76.20 x 50.80	4.375	111.10	UTBPEDT21E300200-F1	UTBPEDT21E300200-F4
3 x 2-1/2	76.20 x 38.10	3.625	92.10	UTBPEDT21E300250-F1	UTBPEDT21E300250-F4
4 x 2	101.60 x 50.80	6.250	158.80	UTBPEDT21E400200-F1	UTBPEDT21E400200-F4
4 x 2-1/2	101.60 x 63.50	5.375	136.50	UTBPEDT21E400250-F1	UTBPEDT21E400250-F4
4 x 3	101.60 x 76.20	5.000	127.00	UTBPEDT21E400300-F1	UTBPEDT21E400300-F4
6 x 3	152.40 x 76.20	8.500	215.90	UTBPEDT21E600300-F1	UTBPEDT21E600300-F4
6 x 4	152.40 x 101.60	7.000	177.80	UTBPEDT21E600400-F1	UTBPEDT21E600400-F4

BPE tube fitting

DT-22A - DT-4.1.4-1 - Ferrule Long



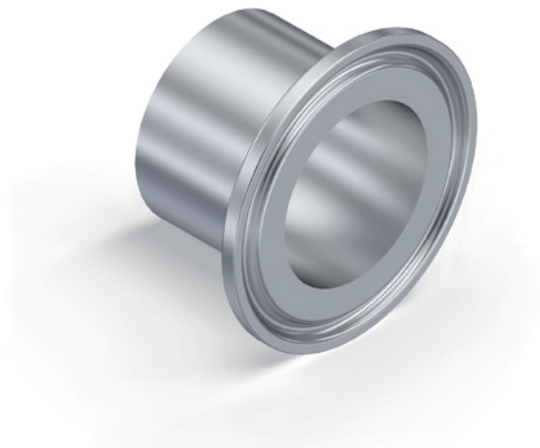
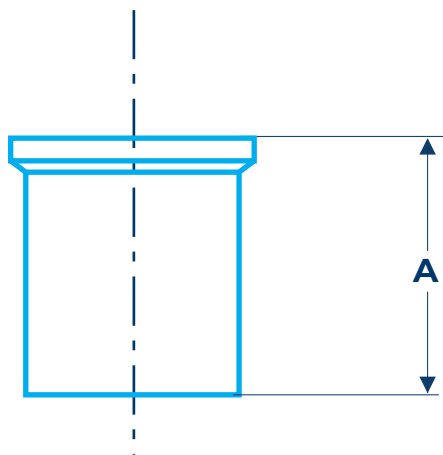
NORMAL SIZE		A		PRODUCT CODE	
Inch	mm	Inch	mm	SF1	SF4
1/2	12.70	1.750	44.50	UTBPEDT22A050-F1	UTBPEDT22A050-F4
3/4	19.05	1.750	44.50	UTBPEDT22A075-F1	UTBPEDT22A075-F4
1	25.40	1.750	44.50	UTBPEDT22A100-F1	UTBPEDT22A100-F4
1-1/2	38.10	1.750	44.50	UTBPEDT22A150-F1	UTBPEDT22A150-F4
2	50.80	2.250	57.20	UTBPEDT22A200-F1	UTBPEDT22A200-F4
2-1/2	63.90	2.250	57.20	UTBPEDT22A250-F1	UTBPEDT22A250-F4
3	76.20	2.250	57.20	UTBPEDT22A300-F1	UTBPEDT22A300-F4
4	101.60	2.250	57.20	UTBPEDT22A400-F1	UTBPEDT22A400-F4
6	152.40	3.000	76.20	UTBPEDT22A600-F1	UTBPEDT22A600-F4



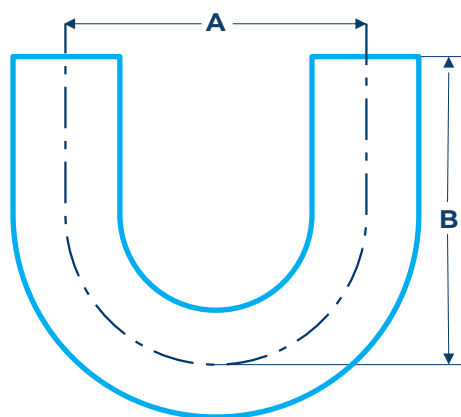
NORMAL SIZE		A		PRODUCT CODE	
Inch	mm	Inch	mm	SF1	SF4
1/2	12.70	1.130	28.70	UTBPEDT22B050-F1	UTBPEDT22B050-F4
3/4	19.05	1.130	28.70	UTBPEDT22B075-F1	UTBPEDT22B075-F4
1	25.40	1.130	28.70	UTBPEDT22B100-F1	UTBPEDT22B100-F4
1-1/2	38.10	1.130	28.70	UTBPEDT22B150-F1	UTBPEDT22B150-F4
2	50.80	1.130	28.70	UTBPEDT22B200-F1	UTBPEDT22B200-F4
2-1/2	63.90	1.130	28.70	UTBPEDT22B250-F1	UTBPEDT22B250-F4
3	76.20	1.130	28.70	UTBPEDT22B300-F1	UTBPEDT22B300-F4
4	101.60	1.130	28.70	UTBPEDT22B400-F1	UTBPEDT22B400-F4
6	152.40	1.500	38.10	UTBPEDT22B600-F1	UTBPEDT22B600-F4

BPE tube fitting

DT-22C - DT-4.1.4-1 - Ferrule Short



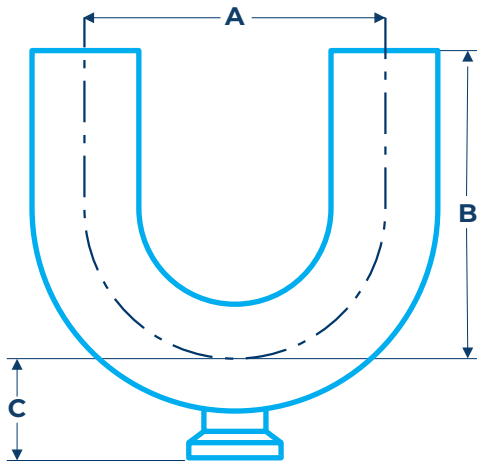
NORMAL SIZE		A		PRODUCT CODE	
Inch	mm	Inch	mm	SF1	SF4
1/2	12.70	0.500	12.70	UTBPEDT22C050-F1	UTBPEDT22C050-F4
3/4	19.05	0.500	12.70	UTBPEDT22C075-F1	UTBPEDT22C075-F4
1	25.40	0.500	12.70	UTBPEDT22C100-F1	UTBPEDT22C100-F4
1-1/2	38.10	0.500	12.70	UTBPEDT22C150-F1	UTBPEDT22C150-F4
2	50.80	0.500	12.70	UTBPEDT22C200-F1	UTBPEDT22C200-F4
2-1/2	63.90	0.500	12.70	UTBPEDT22C250-F1	UTBPEDT22C250-F4
3	76.20	0.500	12.70	UTBPEDT22C300-F1	UTBPEDT22C300-F4
4	101.60	0.625	15.90	UTBPEDT22C400-F1	UTBPEDT22C400-F4
6	152.40	0.750	19.10	UTBPEDT22C600-F1	UTBPEDT22C600-F4



NORMAL SIZE		A		B		PRODUCT CODE	
Inch	mm	Inch	mm	Inch	mm	SF1	SF4
1	25.40	3.000	76.20	3.000	76.20	UTBPEDT23100-F1	UTBPEDT23100-F4
1-1/2	38.10	4.500	114.30	4.500	114.30	UTBPEDT23150-F1	UTBPEDT23150-F4
2	50.80	6.000	152.40	5.000	127.00	UTBPEDT23200-F1	UTBPEDT23200-F4
2-1/2	63.50	7.500	190.50	5.750	146.10	UTBPEDT23250-F1	UTBPEDT23250-F4
3	76.20	9.000	228.60	6.500	165.10	UTBPEDT23300-F1	UTBPEDT23300-F4
4	101.60	12.000	304.80	8.500	215.90	UTBPEDT23400-F1	UTBPEDT23400-F4

BPE tube fitting

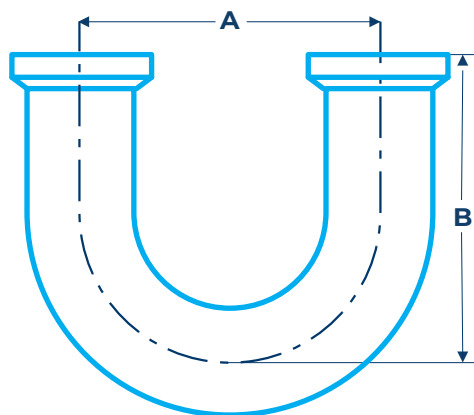
DT-23T - DT-4.1.1-7 - 180° Tee Bottom Outlet WCW



NORMAL SIZE		A		B		C		PRODUCT CODE	
Inch	mm	Inch	mm	Inch	mm	Inch	mm	SF1	SF4
1 x 1/2	25.40 x 12.70	3.000	76.20	3.000	76.20	1.125	28.58	UTBPEDT23T100050-F1	UTBPEDT23T100050-F4
1 x 3/4	25.40 x 19.05	3.000	76.20	3.000	76.20	1.125	28.58	UTBPEDT23T100075-F1	UTBPEDT23T100075-F4
1 x 1	25.40 x 25.40	3.000	76.20	3.000	76.20	1.125	28.58	UTBPEDT23T100100-F1	UTBPEDT23T100100-F4
1-1/2 x 1/2	38.10 x 12.70	4.500	114.30	4.500	114.30	1.375	34.93	UTBPEDT23T150050-F1	UTBPEDT23T150050-F4
1-1/2 x 3/4	38.10 x 19.05	4.500	114.30	4.500	114.30	1.375	34.93	UTBPEDT23T150075-F1	UTBPEDT23T150075-F4
1-1/2 x 1	38.10 x 25.40	4.500	114.30	4.500	114.30	1.375	34.93	UTBPEDT23T150100-F1	UTBPEDT23T150100-F4
1-1/2 x 1-1/2	38.10 x 38.10	4.500	114.30	4.500	114.30	1.375	34.93	UTBPEDT23T150150-F1	UTBPEDT23T150150-F4
2 x 1/2	50.80 x 12.70	6.000	152.40	5.000	127.00	1.625	41.28	UTBPEDT23T200050-F1	UTBPEDT23T200050-F4
2 x 3/4	50.80 x 19.05	6.000	152.40	5.000	127.00	1.625	41.28	UTBPEDT23T200075-F1	UTBPEDT23T200075-F4
2 x 1	50.80 x 25.40	6.000	152.40	5.000	127.00	1.625	41.28	UTBPEDT23T200100-F1	UTBPEDT23T200100-F4
2 x 1-1/2	50.80 x 38.10	6.000	152.40	5.000	127.00	1.625	41.28	UTBPEDT23T200150-F1	UTBPEDT23T200150-F4
2 x 2	50.80 x 50.80	6.000	152.40	5.000	127.00	1.625	41.28	UTBPEDT23T200200-F1	UTBPEDT23T200200-F4
2-1/2 x 1/2	63.50 x 12.70	7.500	190.50	5.750	146.05	1.875	47.63	UTBPEDT23T250050-F1	UTBPEDT23T250050-F4
2-1/2 x 3/4	63.50 x 19.05	7.500	190.50	5.750	146.05	1.875	47.63	UTBPEDT23T250075-F1	UTBPEDT23T250075-F4
2-1/2 x 1	63.50 x 25.40	7.500	190.50	5.750	146.05	1.875	47.63	UTBPEDT23T250100-F1	UTBPEDT23T250100-F4
2-1/2 x 1-1/2	63.50 x 38.10	7.500	190.50	5.750	146.05	1.875	47.63	UTBPEDT23T250150-F1	UTBPEDT23T250150-F4
2-1/2 x 2	63.50 x 50.80	7.500	190.50	5.750	146.05	1.875	47.63	UTBPEDT23T250200-F1	UTBPEDT23T250200-F4
2-1/2 x 2-1/2	63.50 x 63.50	7.500	190.50	5.750	146.05	1.875	47.63	UTBPEDT23T250250-F1	UTBPEDT23T250250-F4
3 x 1/2	76.20 x 12.70	9.000	228.60	6.500	165.10	2.125	53.98	UTBPEDT23T300050-F1	UTBPEDT23T300050-F4
3 x 3/4	76.20 x 19.05	9.000	228.60	6.500	165.10	2.125	53.98	UTBPEDT23T300075-F1	UTBPEDT23T300075-F4
3 x 1	76.20 x 25.40	9.000	228.60	6.500	165.10	2.125	53.98	UTBPEDT23T300100-F1	UTBPEDT23T300100-F4
3 x 1-1/2	76.20 x 38.10	9.000	228.60	6.500	165.10	2.125	53.98	UTBPEDT23T300150-F1	UTBPEDT23T300150-F4
3 x 2	76.20 x 50.80	9.000	228.60	6.500	165.10	2.125	53.98	UTBPEDT23T300200-F1	UTBPEDT23T300200-F4
3 x 2-1/2	76.20 x 63.50	9.000	228.60	6.500	165.10	2.125	53.98	UTBPEDT23T300250-F1	UTBPEDT23T300250-F4
3 x 3	76.20 x 76.20	9.000	228.60	6.500	165.10	2.125	53.98	UTBPEDT23T300300-F1	UTBPEDT23T300300-F4
4 x 1/2	101.60 x 12.70	12.000	304.80	8.500	215.90	2.625	66.68	UTBPEDT23T400050-F1	UTBPEDT23T400050-F4
4 x 3/4	101.60 x 19.05	12.000	304.80	8.500	215.90	2.625	66.68	UTBPEDT23T400075-F1	UTBPEDT23T400075-F4
4 x 1	101.60 x 25.40	12.000	304.80	8.500	215.90	2.625	66.68	UTBPEDT23T400100-F1	UTBPEDT23T400100-F4
4 x 1-1/2	101.60 x 38.10	12.000	304.80	8.500	215.90	2.625	66.68	UTBPEDT23T400150-F1	UTBPEDT23T400150-F4
4 x 2	101.60 x 50.80	12.000	304.80	8.500	215.90	2.625	66.68	UTBPEDT23T400200-F1	UTBPEDT23T400200-F4
4 x 2-1/2	101.60 x 63.50	12.000	304.80	8.500	215.90	2.625	66.68	UTBPEDT23T400250-F1	UTBPEDT23T400250-F4
4 x 3	101.60 x 76.20	12.000	304.80	8.500	215.90	2.625	66.68	UTBPEDT23T300300-F1	UTBPEDT23T300300-F4
4 x 4	101.60 x 101.60	12.000	304.80	8.500	215.90	2.625	66.68	UTBPEDT23T400400-F1	UTBPEDT23T400400-F4

BPE tube fitting

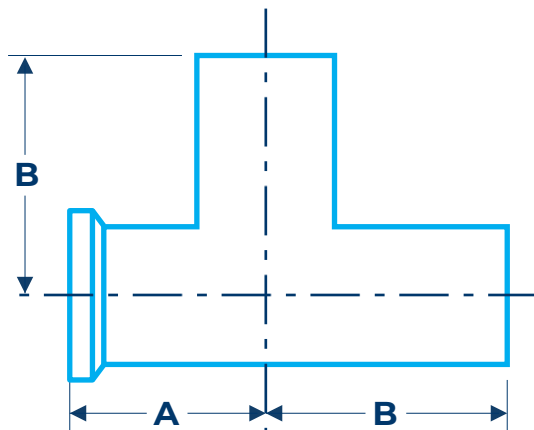
DT-24 - DT-4.1.1-8 - 180° Return Bend CC



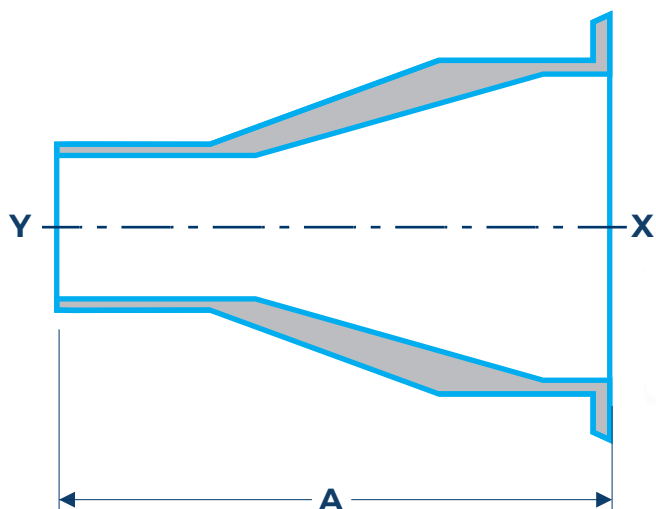
NORMAL SIZE		A		B		PRODUCT CODE	
Inch	mm	Inch	mm	Inch	mm	SF1	SF4
1	25.40	3.000	76.20	3.500	88.90	UTBPEDT24100-F1	UTBPEDT24100-F4
1-1/2	38.10	4.500	114.30	5.000	127.00	UTBPEDT24150-F1	UTBPEDT24150-F4
2	50.80	6.000	152.40	5.500	139.70	UTBPEDT24200-F1	UTBPEDT24200-F4
2-1/2	63.50	7.500	190.50	6.250	158.80	UTBPEDT24250-F1	UTBPEDT24250-F4
3	76.20	9.000	228.60	7.000	177.80	UTBPEDT24300-F1	UTBPEDT24300-F4
4	101.60	12.000	304.80	9.125	231.80	UTBPEDT24400-F1	UTBPEDT24400-F4

BPE tube fitting

DT-25 - DT-4.1.2-3 - Short Outlet Run Tee WWC



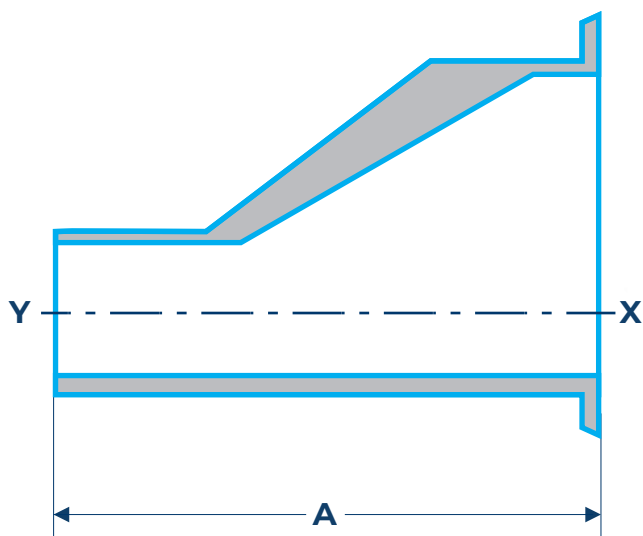
NORMAL SIZE		A		B		PRODUCT CODE	
Inch	mm	Inch	mm	Inch	mm	SF1	SF4
1/2	12.70	0.875	22.20	1.875	47.60	UTBPEDT25050-SF1	UTBPEDT25050-SF4
3/4	19.05	1.000	25.40	2.000	50.80	UTBPEDT25075-SF1	UTBPEDT25075-SF4
1	25.40	1.125	28.60	2.125	54.00	UTBPEDT25100-F1	UTBPEDT25100-F4
1-1/2	38.10	1.375	34.90	2.375	60.30	UTBPEDT25150-F1	UTBPEDT25150-F4
2	50.80	1.625	41.30	2.875	73.00	UTBPEDT25200-F1	UTBPEDT25200-F4
2-1/2	63.50	1.875	47.60	3.125	79.40	UTBPEDT25250-F1	UTBPEDT25250-F4
3	76.20	2.125	54.00	3.375	85.70	UTBPEDT25300-F1	UTBPEDT25300-F4
4	101.60	2.750	69.90	4.125	104.80	UTBPEDT25400-F1	UTBPEDT25400-F4
6	152.40	4.625	117.50	5.625	142.90	UTBPEDT25600-F1	UTBPEDT25600-F4



NORMAL SIZE		A		PRODUCT CODE	
Inch	mm	Inch	mm	SF1	SF4
3/4 x 1/2	19.05 x 12.70	2.625	66.70	UTBPEDT26C075050-F1	UTBPEDT26C075050-F4
1 x 1/2	25.40 x 12.70	3.000	76.20	UTBPEDT26C100050-F1	UTBPEDT26C100050-F4
1 x 3/4	25.40 x 19.05	2.625	66.70	UTBPEDT26C100075-F1	UTBPEDT26C100075-F4
1-1/2 x 3/4	38.10 x 19.05	3.500	88.90	UTBPEDT26C150075-F1	UTBPEDT26C150075-F4
1-1/2 x 1	38.10 x 25.40	3.000	76.20	UTBPEDT26C150100-F1	UTBPEDT26C150100-F4
2 x 1	50.80 x 25.40	3.875	98.40	UTBPEDT26C200100-F1	UTBPEDT26C200100-F4
2x1-1/2	50.80 x 38.10	3.000	76.20	UTBPEDT26C200150-F1	UTBPEDT26C200150-F4
2-1/2 x 1-1/2	63.50 x 38.10	3.875	98.40	UTBPEDT26C250150-F1	UTBPEDT26C250150-F4
2-1/2 x 2	63.50 x 50.80	3.000	76.20	UTBPEDT26C250200-F1	UTBPEDT26C250200-F4
3 x 1-1/2	76.20 x 38.10	4.750	120.70	UTBPEDT26C300150-F1	UTBPEDT26C300150-F4
3 x 2	76.20 x 50.80	3.875	98.40	UTBPEDT26C300200-F1	UTBPEDT26C300200-F4
3 x 2-1/2	76.20 x 63.50	3.125	79.40	UTBPEDT26C300250-F1	UTBPEDT26C300250-F4
4 x 2	101.60 x 50.80	5.750	146.10	UTBPEDT26C400200-F1	UTBPEDT26C400200-F4
4 x 2-1/2	101.60 x 63.50	4.875	123.80	UTBPEDT26C400250-F1	UTBPEDT26C400250-F4
4 x 3	101.60 x 76.20	4.500	114.30	UTBPEDT26C400300-F1	UTBPEDT26C400300-F4
6 x 3	152.40 x 76.20	8.000	203.20	UTBPEDT26C600300-F1	UTBPEDT26C600300-F4
6 x 4	152.40 x 101.60	6.375	161.90	UTBPEDT26C600400-F1	UTBPEDT26C600400-F4

BPE tube fitting

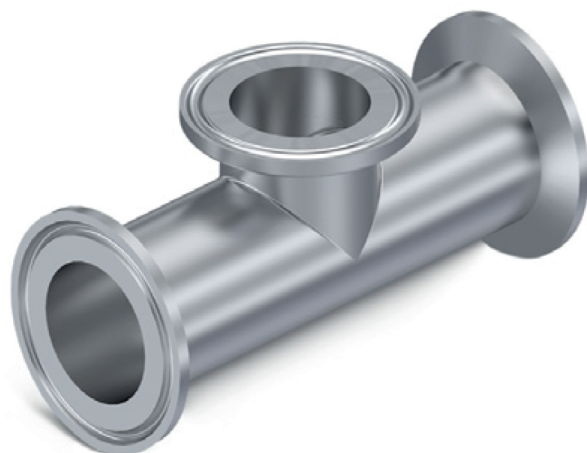
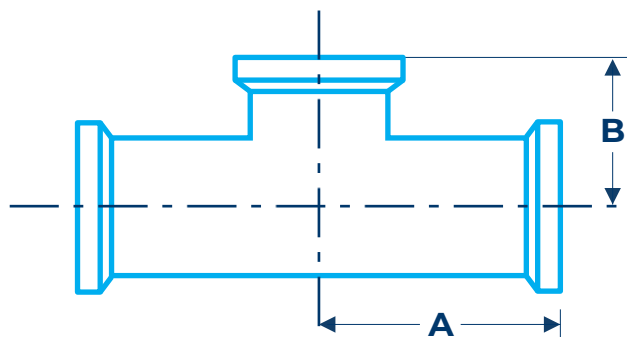
DT-26E (b) - DT-4.1.3-2 - Eccentric Reducer CW



NORMAL SIZE		A		PRODUCT CODE	
Inch	mm	Inch	mm	SF1	SF4
3/4 x 1/2	19.05 x 12.70	2.625	66.70	UTBPEDT26E075050-F1	UTBPEDT26E075050-F4
1 x 1/2	25.40 x 12.70	3.000	76.20	UTBPEDT26E100050-F1	UTBPEDT26E100050-F4
1 x 3/4	25.40 x 19.05	2.625	66.70	UTBPEDT26E100075-F1	UTBPEDT26E100075-F4
1-1/2 x 3/4	38.10 x 19.05	3.500	88.90	UTBPEDT26E150075-F1	UTBPEDT26E150075-F4
1-1/2 x 1	38.10 x 25.40	3.000	76.20	UTBPEDT26E150100-F1	UTBPEDT26E150100-F4
2 x 1	50.80 x 25.40	3.875	98.40	UTBPEDT26E200100-F1	UTBPEDT26E200100-F4
2x1-1/2	50.80 x 38.10	3.000	76.20	UTBPEDT26E200150-F1	UTBPEDT26E200150-F4
2-1/2 x 1-1/2	63.50 x 38.10	3.875	98.40	UTBPEDT26E250150-F1	UTBPEDT26E250150-F4
2-1/2 x 2	63.50 x 50.80	3.000	76.20	UTBPEDT26E250200-F1	UTBPEDT26E250200-F4
3 x 1-1/2	76.20 x 38.10	4.750	120.70	UTBPEDT26E300150-F1	UTBPEDT26E300150-F4
3 x 2	76.20 x 50.80	3.875	98.40	UTBPEDT26E300200-F1	UTBPEDT26E300200-F4
3 x 2-1/2	76.20 x 63.50	3.125	79.40	UTBPEDT26E300250-F1	UTBPEDT26E300250-F4
4 x 2	101.60 x 50.80	5.750	146.10	UTBPEDT26E400200-F1	UTBPEDT26E400200-F4
4 x 2-1/2	101.60 x 63.50	4.875	123.80	UTBPEDT26E400250-F1	UTBPEDT26E400250-F4
4 x 3	101.60 x 76.20	4.500	114.30	UTBPEDT26E400300-F1	UTBPEDT26E400300-F4
6 x 3	152.40 x 76.20	8.000	203.20	UTBPEDT26E600300-F1	UTBPEDT26E600300-F4
6 x 4	152.40 x 101.60	6.375	161.90	UTBPEDT26E600400-F1	UTBPEDT26E600400-F4

BPE tube fitting

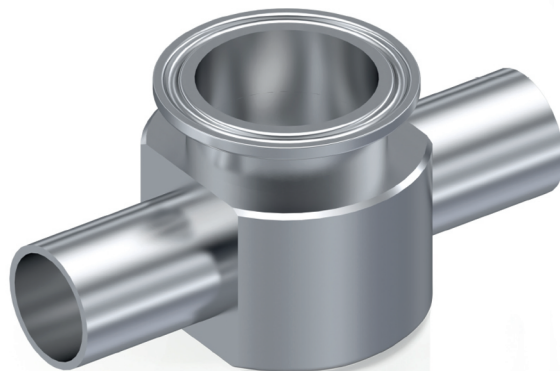
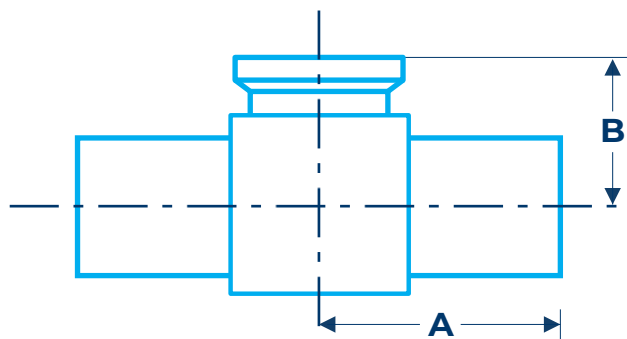
DT-27 - DT-4.1.2-5 - Short Outlet Tee CCC



NORMAL SIZE		A		B		PRODUCT CODE	
Inch	mm	Inch	mm	Inch	mm	SF1	SF4
1/2	12.70	2.250	57.20	1.000	25.40	UTBPEDT27050-F1	UTBPEDT27050-F4
3/4	19.05	2.350	60.70	1.125	28.60	UTBPEDT27075-F1	UTBPEDT27075-F4
1	25.40	2.625	66.70	1.125	28.60	UTBPEDT27100-F1	UTBPEDT27100-F4
1-1/2	38.10	2.875	73.00	1.375	34.90	UTBPEDT27150-F1	UTBPEDT27150-F4
2	50.80	3.375	85.70	1.625	41.30	UTBPEDT27200-F1	UTBPEDT27200-F4
2-1/2	63.50	3.625	92.10	1.875	47.60	UTBPEDT27250-F1	UTBPEDT27250-F4
3	76.20	3.875	98.40	2.125	54.00	UTBPEDT27300-F1	UTBPEDT27300-F4
4	101.60	4.750	120.70	2.750	69.90	UTBPEDT27400-F1	UTBPEDT27400-F4
6	152.40	7.125	181.00	4.625	117.50	UTBPEDT27600-F1	UTBPEDT27600-F4

BPE tube fitting

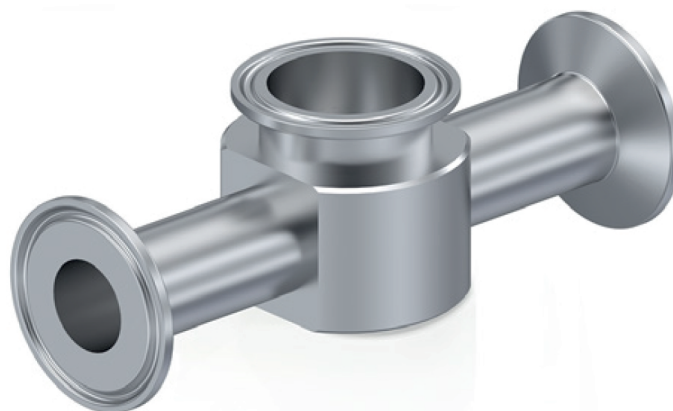
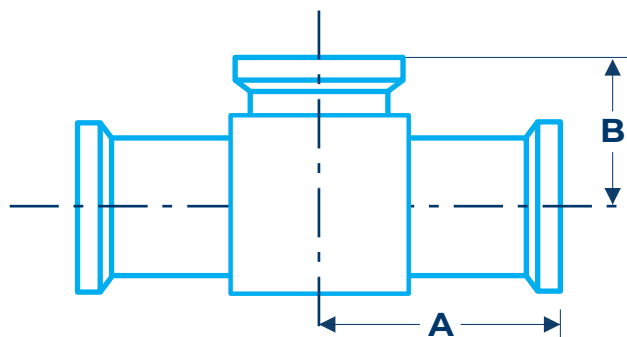
DT-28 - DT-4.1.2-10 - Instrument Tee WCW



NORMAL SIZE		A		B		PRODUCT CODE	
Inch	mm	Inch	mm	Inch	mm	SF1	SF4
1/2 x 1-1/2	12.70 x 38.10	2.500	63.50	0.875	22.20	UTBPEDT28050150-F1	UTBPEDT28050150-F4
3/4 x 1-1/2	19.05 x 38.10	2.500	63.50	1.000	25.40	UTBPEDT28075150-F1	UTBPEDT28075150-F4
1 x 1-1/2	25.40 x 38.10	2.500	63.50	1.125	28.60	UTBPEDT28100150-F1	UTBPEDT28100150-F4
1/2 x 2	12.70 x 50.80	2.750	69.90	1.000	25.40	UTBPEDT28050200-F1	UTBPEDT28050200-F4
3/4 x 2	19.05 x 50.80	2.750	69.90	1.125	28.60	UTBPEDT28075200-F1	UTBPEDT28075200-F4
1 x 2	25.40 x 50.80	2.750	69.90	1.250	31.80	UTBPEDT28100200-F1	UTBPEDT28100200-F4
1-1/2 x 2	38.10 x 50.80	2.750	69.90	1.500	38.10	UTBPEDT28150200-F1	UTBPEDT28150200-F4

BPE tube fitting

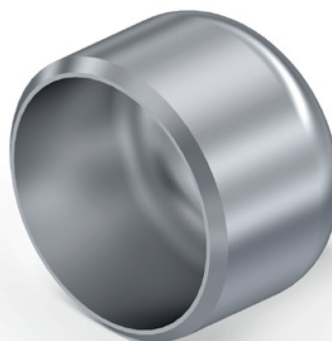
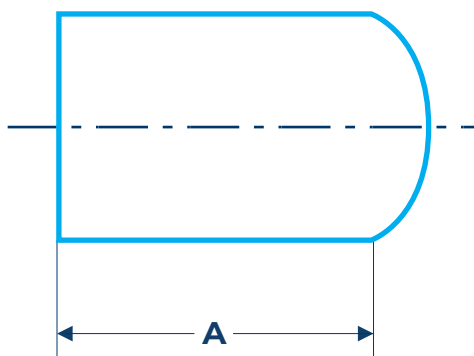
DT-29 - DT-4.1.2-11 - Instrument Tee CCC



NORMAL SIZE		A		B		PRODUCT CODE	
Inch	mm	Inch	mm	Inch	mm	SF1	SF4
1/2 x 1-1/2	12.70 x 38.10	3.000	76.20	0.875	22.20	UTBPEDT29050150-F1	UTBPEDT29050150-F4
3/4 x 1-1/2	19.05 x 38.10	3.000	76.20	1.000	25.40	UTBPEDT29075150-F1	UTBPEDT29075150-F4
1 x 1-1/2	25.40 x 38.10	3.000	76.20	1.125	28.60	UTBPEDT29100150-F1	UTBPEDT29100150-F4
1/2 x 2	12.70 x 50.80	3.250	82.60	1.000	25.40	UTBPEDT29050200-F1	UTBPEDT29050200-F4
3/4 x 2	19.05 x 50.80	3.250	82.60	1.125	28.60	UTBPEDT29075200-F1	UTBPEDT29075200-F4
1 x 2	25.40 x 50.80	3.250	82.60	1.250	31.80	UTBPEDT29100200-F1	UTBPEDT29100200-F4
1-1/2 x 2	38.10 x 50.80	3.250	82.60	1.500	38.10	UTBPEDT29150200-F1	UTBPEDT29150200-F4

BPE tube fitting


DT-30 - DT-4.1.5-1 - Tube Weld End Cap



NORMAL SIZE		A		PRODUCT CODE	
Inch	mm	Inch	mm	SF1	SF4
1/2	12.70	1.500	38.10	UTBPEDT30050-F1	UTBPEDT30050-F4
3/4	19.05	1.500	38.10	UTBPEDT30075-F1	UTBPEDT30075-F4
1	25.40	1.500	38.10	UTBPEDT30100-F1	UTBPEDT30100-F4
1-1/2	38.10	1.500	38.10	UTBPEDT30150-F1	UTBPEDT30150-F4
2	50.80	1.500	38.10	UTBPEDT30200-F1	UTBPEDT30200-F4
2-1/2	63.50	1.500	38.10	UTBPEDT30250-F1	UTBPEDT30250-F4
3	76.20	1.750	44.50	UTBPEDT30300-F1	UTBPEDT30300-F4
4	101.60	2.000	50.80	UTBPEDT30400-F1	UTBPEDT30400-F4
6	152.40	2.500	63.50	UTBPEDT30600-F1	UTBPEDT30600-F4



NORMAL SIZE		A		PRODUCT CODE	
Inch	mm	Inch	mm	SF1	SF4
1/2 & 3/4	12.70 & 19.05	0.187	4.70	UTBPEDT31075-F1	UTBPEDT31075-F4
1 & 1-1/2	25.40 & 38.10	0.250	6.40	UTBPEDT31150-F1	UTBPEDT31150-F4
2	50.80	0.250	6.40	UTBPEDT31200-F1	UTBPEDT31200-F4
2-1/2	63.50	0.250	6.40	UTBPEDT31250-F1	UTBPEDT31250-F4
3	76.20	0.250	6.40	UTBPEDT31300-F1	UTBPEDT31300-F4
4	101.60	0.312	7.90	UTBPEDT31400-F1	UTBPEDT31400-F4
6	152.40	0.437	11.10	UTBPEDT31600-F1	UTBPEDT31600-F4



CHIUSURE
CLAMPS